



★ ★ ★ ★ ★  
★ ★ ★ ★ ★ EUROPEAN QUALITY  
★ ★ ★ ★ ★

### Quality

- / Subjected to test electroluminescence
- / IP65 + 1 m cable
- / High transmissivity glass and high resistance
- / Frame with higher mechanical strength and air chamber
- / Friendly environment & recyclable materials

### Certificates

- / IEC 61215:2005
- / IEC 61730-1:2004 / IEC 61730-2:2004
- / Frontal load (snow) 5.400 Pa
- / Back load (wind) 2.400 Pa
- / Fire Resistance Certificate / Class II (under standard UNI 9177)
- / MCS (UK)
- / EE016-20130528-001 (France)
- / WEEE compliance in Germany
- / ETL Listed Mark (USA)



**TOTAL 60**  
+15 YEARS WARRANTY  
+20 YEARS EXPERIENCE  
+25 YEARS PERFORMANCE



Extra power  
extra up to 3%  
extra up to 7W

PHOTON Laboratory talks about our modules:

*"Eurener is one of the oldest module manufacturers in Europe: the Spanish company was founded in 1997. [...] Is distinguished by having values that are over the average: the temperature coefficient is quite better than other modules that are in the test field. The curve behavior at different irradiance conditions shows a marked efficiency increase in radiations from medium to high, and a slight drop in efficiency at low irradiance conditions. These factors show that this module could reach higher performance than the average in long-term measurements".*



# MEPV - Monocrystalline

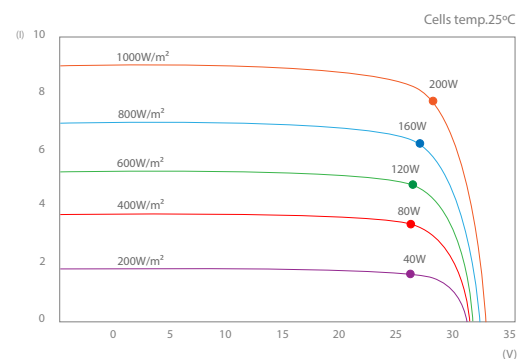
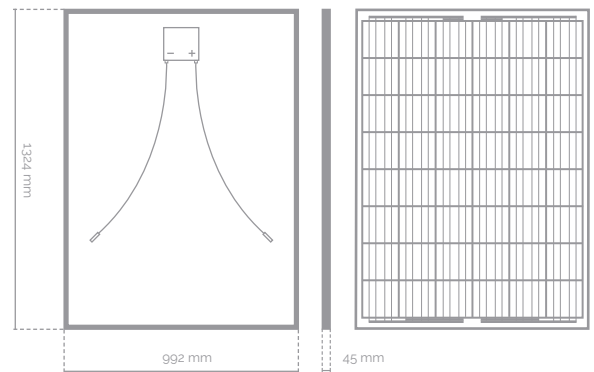
Standard - All Black / 180 / 185 / 190 / 195 / 200 W

20 years of experience  
15 years warranty product



### Technical features

Frame
Silver anodized aluminium 0,015 mm
Robust and resistant to corrosion
Built-in plug
Connection box
Sealed, robust and wide for heat dissipation
IP65 according to IEC 60529
Diodes by-pass built-in (3) for protection of the partial shading
Connector MC4 or compatible, easy and rapid connection
Cables 1 meter length and 4mm <sup>2</sup> section
Reaction to Fire Class II (conformity to UNI 9177 norm)
Frontal
3,2 mm tempered glass
Textured, extra-clear with low iron content
Solar cells
48 cells monocrystalline silicon / 156x156 mm
Weight and dimensions (L x W) +/-1% mm
15 Kg / 1324 x 992 x 45 mm



### Electric data

Standard - All Black	MEPV 180	MEPV 185	MEPV 190	MEPV 195	MEPV 200
Nominal power, P <sub>mp</sub>	180 W	185 W	190 W	195 W	200 W
Tolerance, P <sub>mp</sub>	0 / +3%	0 / +3%	0 / +3%	0 / +3%	0 / +3%
Area of the module	1,31				
Module efficiency	13,74%	14,12%	14,50%	14,89%	15,27%
I <sub>sc</sub>	8,31 A	8,40 A	8,48 A	8,56 A	8,63 A
U <sub>oc</sub>	29,46 V	29,68 V	29,89 V	30,10 V	30,32 V
I <sub>mp</sub>	7,68 A	7,84 A	7,97 A	8,30 A	8,28 A
U <sub>mp</sub>	23,44 V	23,60 V	23,84 V	23,49 V	24,15 V
Maximum voltage	1000 V				
α I <sub>sc</sub>	0,04% / °C				
β U <sub>oc</sub>	- 0,35% / °C				
γ P <sub>max</sub>	- 0,44% / °C				
Temperature range	- 40°C to +85°C				
NOCT	45°C ± 2°C				

NOTE: Read the instruction manual of this product and follow the indications. Values are valid for: 1000W/m<sup>2</sup>, AM 1.5 and cell's temperature of 25°C. All the information of this brochure may be amended without notice by Eurener.