



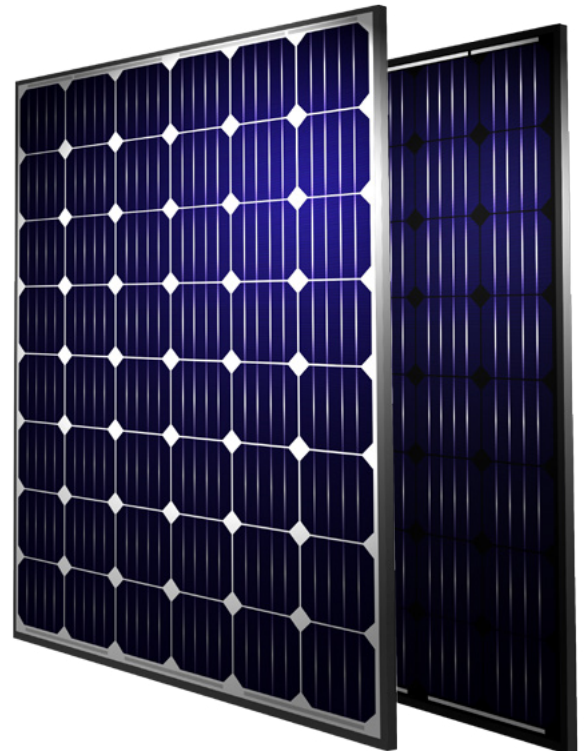
EUROPEAN QUALITY

Quality

- / Subjected to test electroluminescence
- / IP65 + 1 m cable
- / High transmissivity glass and high resistance
- / Frame with higher mechanical strength and air chamber
- / Friendly environment & recyclable materials

Certificates

- / IEC 61215:2005
- / IEC 61730-1:2004 / IEC 61730-2:2004
- / Frontal load (snow) 5.400 Pa
- / Back load (wind) 2.400 Pa
- / Fire Resistance Certificate / Class I (under standard UNI 9177)
- / MCS (UK)
- / EE016-20130528-001 (France)
- / WEEE compliance in Germany
- / ETL Listed Mark (USA-Canada)



TOTAL 60
+15 YEARS WARRANTY
+20 YEARS EXPERIENCE
+25 YEARS PERFORMANCE

+3%

Extra power
extra up to 3%
extra up to 7W

PHOTON Laboratory talks about our modules:

"Eurener is one of the oldest module manufacturers in Europe: the Spanish company was founded in 1997. [...] Is distinguished by having values that are over the average: the temperature coefficient is quite better than other modules that are in the test field. The curve behavior at different irradiance conditions shows a marked efficiency increase in radiations from medium to high, and a slight drop in efficiency at low irradiance conditions. These factors show that this module could reach higher performance than the average in long-term measurements".



MEPV - Monocrystalline

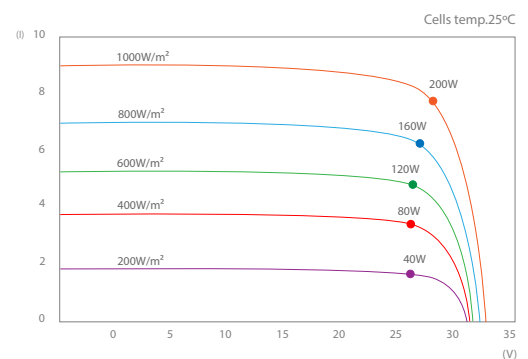
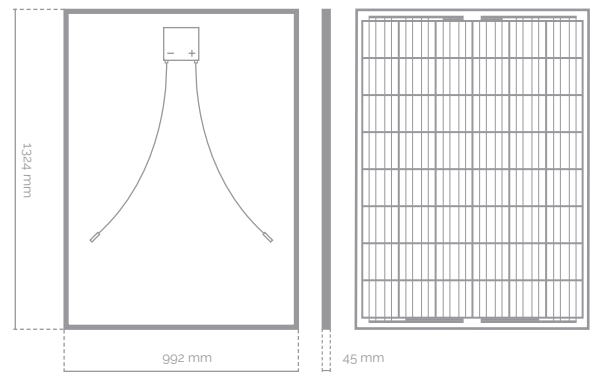
Standard - All Black / 180 / 185 / 190 / 195 / 200 W

25 years performance warranty
15 years warranty product

eurener
energía solar

Technical features

Frame
Black / Silver anodized aluminium 0,015 mm
Robust and resistant to corrosion
Built-in plug
Connection box
Sealed, robust and wide for heat dissipation
IP65 according to IEC 60529
Diodes by-pass built-in (3) for protection of the partial shading
Connector MC4 or compatible, easy and rapid connection
Cables 1 meter length and 4mm ² section
Reaction to Fire Class I (conformity to UNI 9177 norm)
Frontal
3,2 mm tempered glass
Textured, extra-clear with low iron content
Solar cells
48 cells monocrystalline silicon / 156x156 mm
Weight and dimensions (L x W) +/-1% mm
15 Kg / 1324 x 992 x 45 mm



Electric data

Standard - All Black	MEPV 180	MEPV 185	MEPV 190	MEPV 195	MEPV 200
Nominal power, P _{mp}	180 W	185 W	190 W	195 W	200 W
Tolerance, P _{mp}	0 / +3%	0 / +3%	0 / +3%	0 / +3%	0 / +3%
Area of the module	1,31				
Module efficiency	13,74%	14,12%	14,50%	14,89%	15,27%
I _{sc}	8,31 A	8,40 A	8,48 A	8,56 A	8,63 A
U _{oc}	29,46 V	29,68 V	29,89 V	30,10 V	30,32 V
I _{mp}	7,68 A	7,84 A	7,97 A	8,30 A	8,28 A
U _{mp}	23,44 V	23,60 V	23,84 V	23,49 V	24,15 V
Maximum voltage	1000 V				
α I _{sc}	0,04% / °C				
β U _{oc}	- 0,35% / °C				
γ P _{max}	- 0,44% / °C				
Temperature range	- 40°C to +85°C				
NOCT	45°C ± 2°C				

NOTE: Read the instruction manual of this product and follow the indications. Values are valid for: 1000W/m², AM 1.5 and cell's temperature of 25°C. All the information of this brochure may be amended without notice by Eurener.

Sales Office:
Av. Marqués de Sotelo, 1-4^a
46002 Valencia (Spain)

Tel. +34 96 004 55 15
contact@eurenerworld.com