



MEPV 230 - 250W

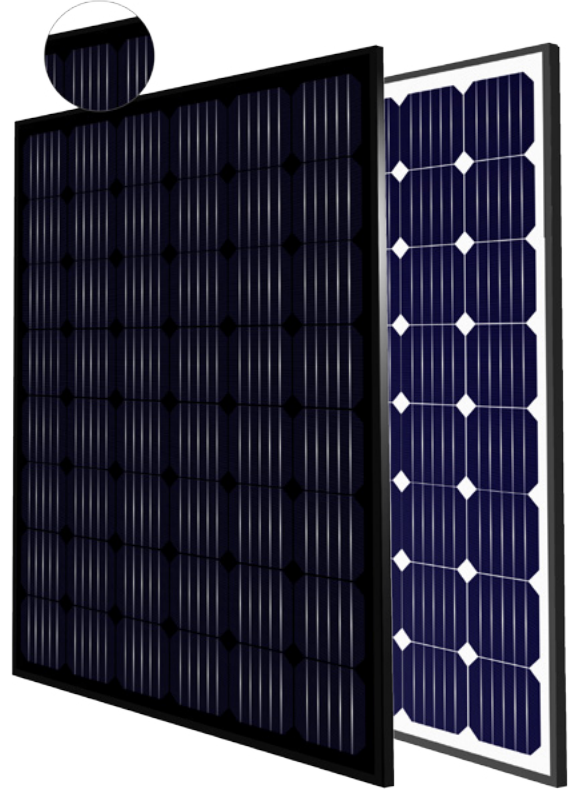
Covered cell interconnections | 5 Busbar | 6 Diodes

Quality

- / IP67 + 1 m cable
- / High transmissivity glass and high resistance
- / Frame with higher mechanical strength and air chamber
- / Friendly environment & recyclable materials
- / Electroluminescence test

Certificates

- / IEC 61215:2005
- / IEC 61730-1:2004 / IEC 61730-2:2004
- / Frontal load (snow) 5.400 Pa
- / Back load (wind) 2.400 Pa
- / Fire Resistance Certificate
- / Class I (under standard UNI 9177)
- / EE016-20130528-001 (France)
- / WEEE compliance in Germany
- / ETL Listed Mark (USA-Canada)
- / VKF-AEAI compliance (Switzerland)
- / MCS (UK)



Extra power
extra up to 3%
extra up to 7W



4 x 250W = 1kW
Minimum space
Maximum power



EUROPEAN QUALITY

PHOTON Laboratory talks about our modules:

"Eurener is one of the oldest module manufacturers in Europe: the Spanish company was founded in 1997. [...] Is distinguished by having values that are over the average: the temperature coefficient is quite better than other modules that are in the test field. The curve behavior at different irradiance conditions shows a marked efficiency increase in radiations from medium to high, and a slight drop in efficiency at low irradiance conditions. These factors show that this module could reach higher performance than the average in long-term measurements".



SUPERIOR 48

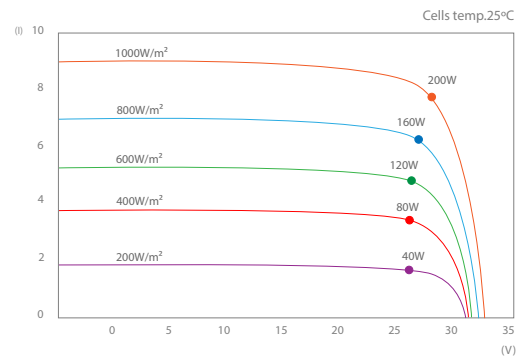
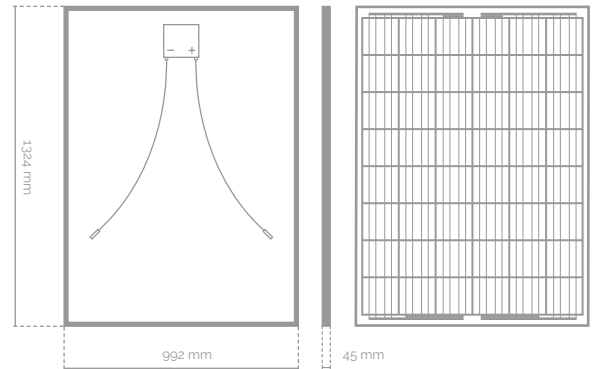
Monocrystalline Standard - All Black / 230 / 240 / 250 W

25 years performance warranty
15 years product warranty



Technical features

Frame
Black / Silver anodized aluminium 0,015 mm
Covered cell interconnections
Robust and resistant to corrosion
Built-in plug
Connection box
Sealed, robust and wide for heat dissipation
IP67 according to IEC 60529
Diodes by-pass built-in (6) for protection of the partial shading
Connector MC4 or compatible, easy and rapid connection
Cables 1 meter length and 4mm ² section
Reaction to Fire Class I (conformity to UNI 9177 norm)
Frontal
3,2 mm tempered glass
Textured, extra-clear with low iron content
Solar cells
48 cells monocrystalline silicon / 156x156 mm
Weight and dimensions (L x W) +/-1% mm
15 Kg / 1324 x 992 x 45 mm



Electric data

Standard - All Black	MEPV 230	MEPV 240	MEPV 250
Nominal power, P _{mp}	230 W	240 W	250 W
Tolerance, P _{mp}	0 / +3%	0 / +3%	±1%
Area of the module	1,31		
Module efficiency	17,56%	18,32%	19,08%
I _{sc}	9,62 A	9,78 A	9,96 A
U _{oc}	31,60 V	32,00 V	32,50 V
I _{mp}	9,18 A	9,24 A	9,30 A
U _{mp}	25,05 V	25,97 V	26,88 V
Maximum voltage	1000 V		
α I _{sc}	0,04% / °C		
β U _{oc}	- 0,35% / °C		
γ P _{max}	- 0,44% / °C		
Temperature range	- 40°C to +85°C		
NOCT	45°C ± 2°C		

NOTE: Read the instruction manual of this product and follow the indications. Values are valid for: 1000W/m², AM 1.5 and cell's temperature of 25°C. All the information of this brochure may be amended without notice by Eurener.