

Monocrystalline Photovoltaic Module »



MEPV 108 HALF-CUT

STANDARD - ZEBRA »
400 / 405 / 410 / **415 Wp**

QUALITY »



10 busbar
Advanced technology



Proven technology
More reliable



+5W
Positive power tolerance



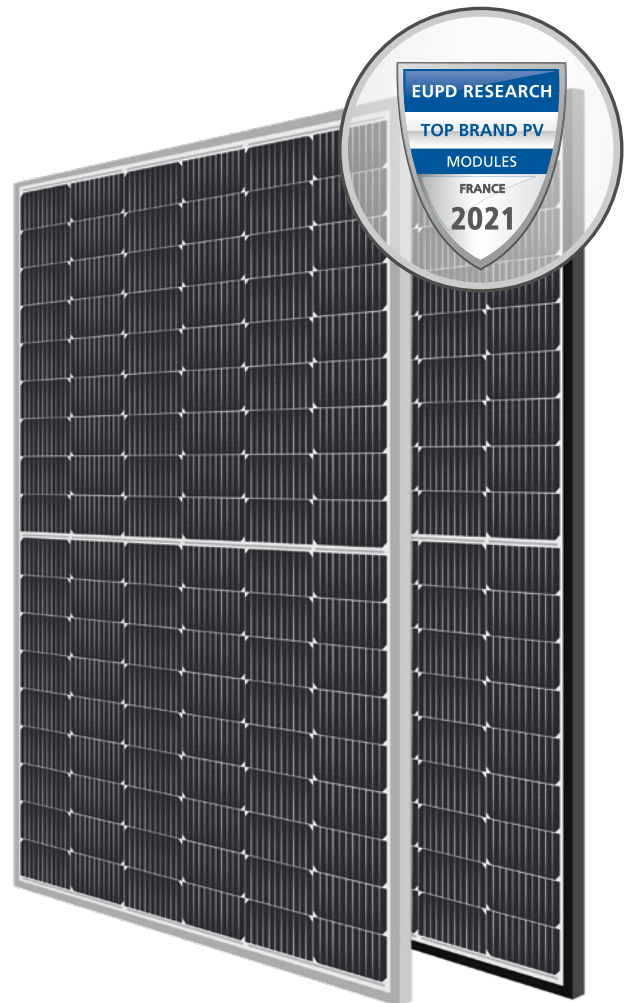
Fire resistance
Maximum protection



Avoid losses
Better shading tolerance



Efficiency
Over 20% efficiency



25 YEARS
KNOW
HOW
SINCE
* 1997

WARRANTIES »

15 YEARS PRODUCT WARRANTY

25 YEARS PERFORMANCE WARRANTY
Linear Warranty

PRODUCT WARRANTY
for Premium Partners

+5
YEARS

CERTIFICATES »



TECHNICAL FEATURES »

Eurener_MEPV 108_HALF-CUT_10BB_400-415Wp_2021EN

FRAME

Black / Silver anodized aluminium

Robust and resistant to corrosion

CONNECTION BOX

Sealed, robust and wide for heat dissipation

IP67/IP68 according to IEC 60529

Diodes by-pass built-in (3/6)

Connector MC4 or compatible

Cables 1000 mm ($\pm 20\%$) length and 4 mm² section

FRONTAL

3,2 mm thick tempered glass with high strength and ARC

Textured, extra-clear with low iron content

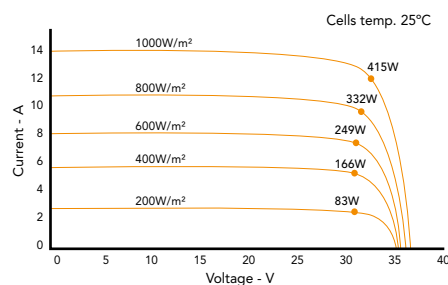
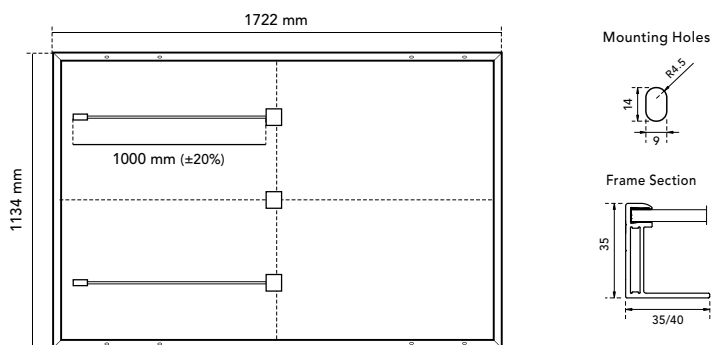
Frontal load (snow) 5.400 Pa | Back load (wind) 2.400 Pa

SOLAR CELLS

108 [2x (9x6)] cells monocrystalline silicon

WEIGHT AND DIMENSIONS

21,5 Kg | 1722 x 1134 x 35 mm ($\pm 1\%$)



ELECTRIC DATA »

STANDARD - ZEBRA	MEPV 400	MEPV 405	MEPV 410	MEPV 415
STC 1000 W/m ² . Module Temperature 25°C AM1,5				
Nominal power. P _{mp}	400 Wp	405 Wp	410 Wp	415 Wp
Tolerance. P _{mp}	0 / +5 W	0 / +5 W	0 / +5 W	0 / +5 W
Area of the module	1,95 m ²			
Module efficiency	20,5 %	20,77 %	21,0 %	21,28 %
I _{sc}	13,79 A	13,87 A	13,95 A	14,02 A
V _{oc}	37,07 V	37,23 V	37,32 V	37,45 V
I _{mp}	12,90 A	12,98 A	13,04 A	13,13 A
V _{mp}	31,01 V	31,21 V	31,45 V	31,61 V
NOCT 800 W/m ² Environment. Temperature 20°C AM 1,5				
Nominal power. P _{mp}	302 W	306 W	310 W	314 W
I _{sc}	11,03 A	11,10 A	11,16 A	11,22 A
V _{oc}	34,88 V	35,12 V	35,23 V	35,37 V
I _{mp}	10,32 A	10,38 A	10,43 A	10,50 A
V _{mp}	29,26 V	29,47 V	29,72 V	29,89 V
Operating Parameters. Temperature Coefficients				
Maximum voltage	1000 - 1500 V			
Maximum series fuse rating. I _r	25 A			
α I _{sc}	0,045 % / °C			
β V _{oc}	- 0,275 % / °C			
γ P _{max}	- 0,35 % / °C			
Temperature range	- 40°C ~ + 85 °C			
NOCT	45 \pm 2 °C			

NOTE: Read the instruction manual of this product and follow the indications STC. Values are valid for: 1000W/m², AM 1,5 and cells temperature of 25°C. Measurement tolerance $\pm 3\%$ (AAA Solar simulation -IEC 60.904-9-). All the information of this brochure may be amended without notice by Eurener. Eurener_MEPV 108_HALF-CUT_10BB_400-415Wp_EN_SEP2021

Contact us » www.eurenergroupp.com

contact@eurenerworld.com

+34 960 045 515

Calle Colón, 1-23
46004, Valencia. Spain

More than energy!

"More than energy" means being able to generate electricity in a clean and respectful way and to integrate photovoltaics with the least visual impact...