

Monocrystalline Photovoltaic Module »



# MEPV 120 DOUBLE GLASS

STANDARD - BLACK - ALL BLACK »  
375 / 380 Wp

## QUALITY »



**9 busbar**

Advanced technology



**BIPV**

Architectural integration



**Load endurance**

Front load / Back load



**Translucent**

Light can pass through it



**Fire resistance**

Maximum protection



**Long durability**

Continuous performance



☆☆☆ EUROPEAN QUALITY

**25** YEARS  
KNOW  
HOW  
SINCE  
\* 1997

## WARRANTIES »

**30** YEARS PRODUCT WARRANTY

**30** YEARS PERFORMANCE WARRANTY  
Linear Warranty

## CERTIFICATES »



## TECHNICAL FEATURES »

Eurener\_MEPV 120\_DOUBLE GLASS\_9BB\_375-380Wp\_2021EN

### FRAME

Black / Silver anodized aluminium

Robust and resistant to corrosion

### GLASS

Back Glass | 2 mm tempered glass / 2 mm ceramic coated glass

Front Glass | 2mm tempered ARC glass

### CONNECTION BOX

Sealed, robust and wide for heat dissipation

IP67/IP68 according to IEC 60529

Diodes by-pass built-in (3/6)

Connector MC4 or compatible

Cables 1000 mm ( $\pm 20\%$ ) length and 4 mm<sup>2</sup> section

### FRONTAL

2 mm + 2 mm tempered glass

Textured, extra-clear with low iron content

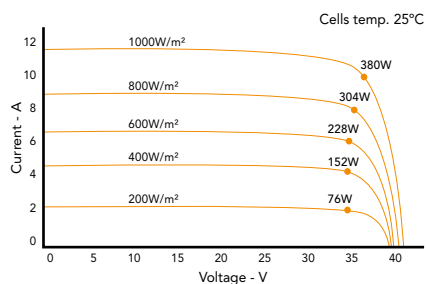
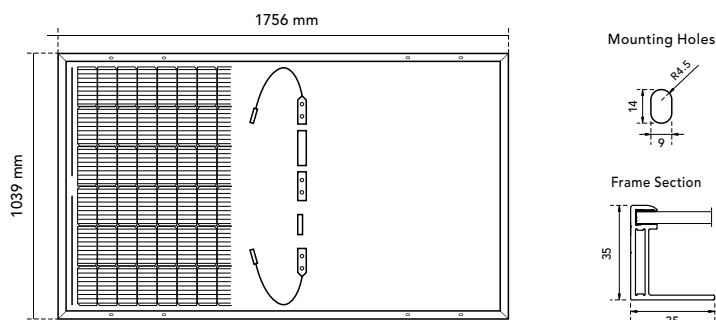
Frontal load (snow) 5.400 Pa | Back load (wind) 2.400 Pa

### SOLAR CELLS

120 cells monocrystalline silicon

### WEIGHT, DIMENSIONS AND PACKAGING

26 Kg | 1756 x 1039 x 35 mm ( $\pm 1\%$ ) | Pack: 910 pcs-truck



## ELECTRIC DATA »

STANDARD - BLACK - ALL BLACK	MEPV 375	MEPV 380
STC 1000 W/m <sup>2</sup> . Module Temperature 25°C AM1,5		
Nominal power. P <sub>mpp</sub>	375 Wp	380 Wp
Tolerance. P <sub>mpp</sub>	0 / +5 W	±1 W
Area of the module	1,824 m <sup>2</sup>	
Module efficiency	20,56 %	20,84 %
I <sub>sc</sub>	11,78 A	11,9 A
V <sub>oc</sub>	41,0 V	41,1 V
I <sub>mpp</sub>	11,1 A	11,2 A
V <sub>mpp</sub>	33,8 V	33,95 V
NOCT 800 W/m <sup>2</sup> Environment. Temperature 20°C AM 1,5		
Nominal power. P <sub>mpp</sub>	279,55 W	283,23 W
I <sub>sc</sub>	9,48 A	9,56 A
V <sub>oc</sub>	37,92 V	38,02 V
I <sub>mpp</sub>	8,94 A	9,02 A
V <sub>mpp</sub>	31,27 V	31,4 V
Operating Parameters. Temperature Coefficients		
Maximum voltage	1.000 - 1.500 V	
Maximum series fuse rating. I <sub>r</sub>	15 A	
α I <sub>sc</sub>	0,06 % / °C	
β V <sub>oc</sub>	- 0,30 % / °C	
γ P <sub>max</sub>	- 0,4 % / °C	
Temperature range	- 45°C ~ + 85 °C	
NOCT	42 ± 2 °C	

NOTE: Read the instruction manual of this product and follow the indications STC. Values are valid for: 1000W/m<sup>2</sup>, AM 1,5 and cells temperature of 25°C. Measurement tolerance +/-3% (AAA Solar simulation -IEC 60.904-9-). All the information of this brochure may be amended without notice by Eurener. Eurener\_MEPV 120\_DOUBLE GLASS\_9BB\_375-380Wp\_EN\_SEP2021

Contact us » [www.eurenergroupp.com](http://www.eurenergroupp.com)

contact@eurenerworld.com

+34 960 045 515

Calle Colón, 1-23  
46004, Valencia. Spain

More than energy!

"More than energy" means being able to generate electricity in a clean and respectful way and to integrate photovoltaics with the least visual impact...