

Monocrystalline Photovoltaic Module »



MEPV 120 DOUBLE GLASS

FRAMELESS » 375 / 380 Wp

QUALITY »



9 busbar

Advanced technology



BIPV

Architectural integration



Load endurance

Front load / Back load



Translucent

Light can pass through it



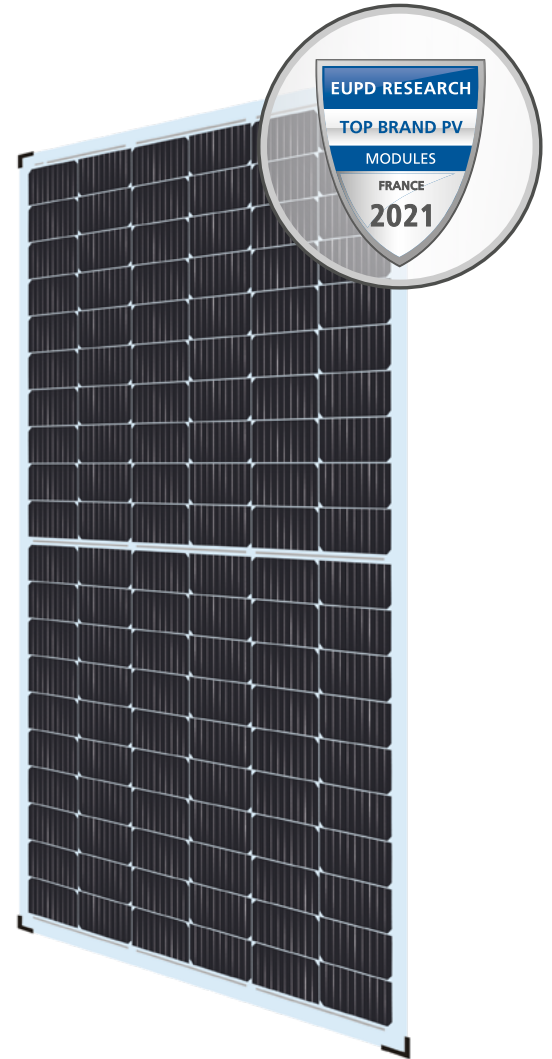
Fire resistance

Maximum protection



Long durability

Continuous performance



☆☆☆ EUROPEAN QUALITY

25 YEARS
KNOW
HOW
SINCE
* 1997

WARRANTIES »

30 YEARS PRODUCT WARRANTY

30 YEARS PERFORMANCE WARRANTY
Linear Warranty

CERTIFICATES »



TECHNICAL FEATURES »

Eurener_MEPV 120_DOUBLE GLASS_9BB_Frameless_375-380Wp_2021EN

FRAME

Black / Silver anodized aluminium

Robust and resistant to corrosion

GLASS

Back Glass | 2 mm tempered glass / 2 mm ceramic coated glass

Front Glass | 2mm tempered ARC glass

CONNECTION BOX

Sealed, robust and wide for heat dissipation

IP67/IP68 according to IEC 60529

Diodes by-pass built-in (3/6)

Connector MC4 or compatible

Cables 1000 mm ($\pm 20\%$) length and 4 mm² section

FRONTAL

2 mm + 2 mm tempered glass

Textured, extra-clear with low iron content

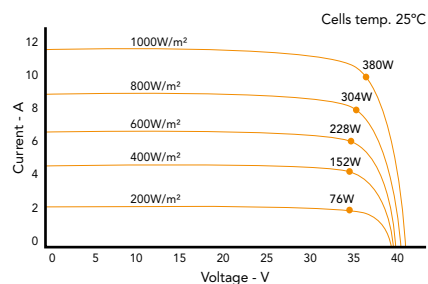
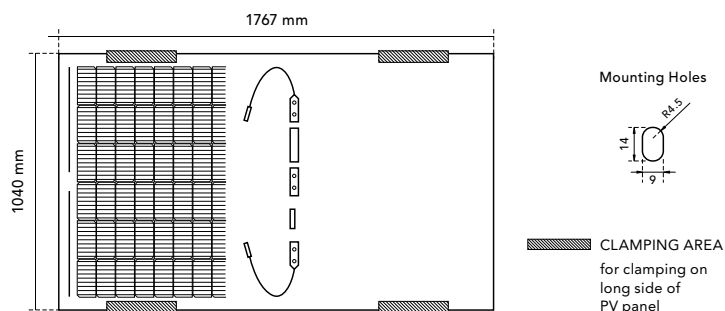
Frontal load (snow) 5.400 Pa | Back load (wind) 2.400 Pa

SOLAR CELLS

120 cells monocrystalline silicon

WEIGHT, DIMENSIONS AND PACKAGING

26 Kg | 1767 x 1040 x 6 mm ($\pm 1\%$) | Pack: 910 pcs-truck



ELECTRIC DATA »

FRAMELESS	MEPV 375	MEPV 380
STC 1000 W/m ² . Module Temperature 25°C AM1,5		
Nominal power. P _{mpp}	375 Wp	380 Wp
Tolerance. P _{mpp}	0 / +5 W	±1 W
Area of the module	1,805 m ²	
Module efficiency	19,90 %	20,17 %
I _{sc}	11,78 A	11,9 A
V _{oc}	41,0 V	41,1 V
I _{mpp}	11,1 A	11,2 A
V _{mpp}	33,8 V	33,95 V
NOCT 800 W/m ² Environment. Temperature 20°C AM 1,5		
Nominal power. P _{mpp}	279,55 W	283,23 W
I _{sc}	9,48 A	9,56 A
V _{oc}	37,92 V	38,02 V
I _{mpp}	8,94 A	9,02 A
V _{mpp}	31,27 V	31,4 V
Operating Parameters. Temperature Coefficients		
Maximum voltage	1.000 - 1.500 V	
Maximum series fuse rating. I _r	15 A	
α I _{sc}	0,06 % / °C	
β V _{oc}	- 0,30 % / °C	
γ P _{max}	- 0,4 % / °C	
Temperature range	- 45°C ~ + 85 °C	
NOCT	42 ± 2 °C	

NOTE: Read the instruction manual of this product and follow the indications STC. Values are valid for: 1000W/m², AM 1,5 and cells temperature of 25°C. Measurement tolerance +/-3% (AAA Solar simulation -IEC 60.904-9-). All the information of this brochure may be amended without notice by Eurener. Eurener_MEPV 120_GLASS-GLASS HALF-CUT_375-380Wp_9BB_Frameless_EN_SEP2021

Contact us » www.eurenergroupp.com

contact@eurenerworld.com

+34 960 045 515

Calle Colón, 1-23
46004, Valencia. Spain

More than energy!

"More than energy" means being able to generate electricity in a clean and respectful way and to integrate photovoltaics with the least visual impact...