

Monocrystalline Photovoltaic Module »



MEPV 120 HALF-CUT

STANDARD - BLACK - ZEBRA »
330 / 340 Wp

QUALITY »



120 cells
Half-Cut monocrystalline



9 busbar
Advanced technology



Fire resistance
Maximum protection



+5W
Positive power tolerance



Avoid losses
Better shading tolerance



Efficiency
Over 20% efficiency



☆☆☆ EUROPEAN QUALITY

25 YEARS
KNOW
HOW
SINCE
* 1997

WARRANTIES »

15 YEARS PRODUCT WARRANTY

25 YEARS PERFORMANCE WARRANTY
Linear Warranty

PRODUCT WARRANTY
for Premium Partners

+5
YEARS

CERTIFICATES »



TECHNICAL FEATURES »

Eurener_MEPV 120_HALF-CUT_9BB_330-340Wp_2021EN

FRAME

Black / Silver anodized aluminium

Robust and resistant to corrosion

CONNECTION BOX

Sealed, robust and wide for heat dissipation

IP67/IP68 according to IEC 60529

Diodes by-pass built-in (3/6)

Connector MC4 or compatible

Cables 1000 mm ($\pm 20\%$) length and 4 mm² section

FRONTAL

3,2 mm thick tempered glass with high strength and ARC

Textured, extra-clear with low iron content

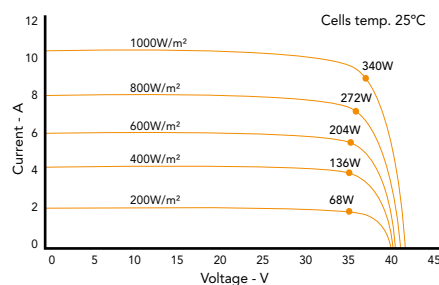
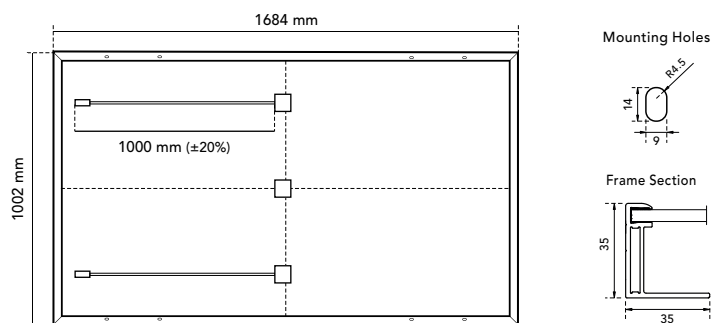
Frontal load (snow) 5.400 Pa | Back load (wind) 2.400 Pa

SOLAR CELLS

120 [2x(10x6)] cells monocrystalline silicon

WEIGHT, DIMENSIONS AND PACKAGING

18 Kg | 1684 x 1002 x 35 mm ($\pm 1\%$) | Pack: 858 pcs-truck



ELECTRIC DATA »

STANDARD - BLACK - ZEBRA	MEPV 330	MEPV 340
STC 1000 W/m ² . Module Temperature 25°C AM1,5		
Nominal power. P _{mpp}	330 Wp	340 Wp
Tolerance. P _{mpp}	0 / +5 W	0 / +5 W
Area of the module	1,68 m ²	
Module efficiency	19,60 %	20,20 %
I _{sc}	10,14 A	10,26 A
V _{oc}	42,2 V	43,0 V
I _{mpp}	9,63 A	9,75 A
V _{mpp}	34,3 V	34,9 V
NOCT 800 W/m ² Environment. Temperature 20°C AM 1,5		
Nominal power. P _{mpp}	250 W	257,5 W
I _{sc}	8,16 A	7,68 A
V _{oc}	39,9 V	40,6 V
I _{mpp}	7,69 A	7,78 A
V _{mpp}	32,5 V	33,1 V
Operating Parameters. Temperature Coefficients		
Maximum voltage	1000 - 1500 V	
Maximum series fuse rating. I _r	20 A	
α I _{sc}	0,04 % / °C	
β V _{oc}	- 0,26 % / °C	
γ P _{max}	- 0,36 % / °C	
Temperature range	- 40°C ~ + 85 °C	
NOCT	41 ± 3 °C	

NOTE: Read the instruction manual of this product and follow the indications STC. Values are valid for: 1000W/m², AM 1,5 and cells temperature of 25°C. Measurement tolerance +/-3% (AAA Solar simulation -IEC 60.904-9-). All the information of this brochure may be amended without notice by Eurener. Eurener_MEPV 120_HALF-CUT_9BB_330-340Wp_EN_SEP2021

Contact us » www.eurenergroupp.com

contact@eurenerworld.com

+34 960 045 515

Calle Colón, 1-23
46004, Valencia. Spain

More than energy!

"More than energy" means being able to generate electricity in a clean and respectful way and to integrate photovoltaics with the least visual impact...