

Monocrystalline Photovoltaic Module »



MEPV 132 HALF-CUT PLUS

STANDARD » 500Wp

QUALITY »



9 busbar
Advanced technology



Reduced BOS
Cost effective product



Long durability
Continuous performance



Fire resistance
Maximum protection



Avoid losses
Better shading tolerance



Efficiency
Over 20% efficiency



25 YEARS
KNOW
HOW
SINCE
* 1997

WARRANTIES »

15 YEARS PRODUCT WARRANTY

25 YEARS PERFORMANCE WARRANTY
Linear Warranty

PRODUCT WARRANTY
for Premium Partners

+5
YEARS

CERTIFICATES »



TECHNICAL FEATURES »

Eurener_MEPV 132_HALF-CUT PLUS_9BB_500Wp_2021EN

FRAME

Black / Silver anodized aluminium

Robust and resistant to corrosion

CONNECTION BOX

Sealed, robust and wide for heat dissipation

IP67/IP68 according to IEC 60529

Diodes by-pass built-in (3/6)

Connector MC4 or compatible

Cables 1000 mm ($\pm 20\%$) length and 4 mm² section

FRONTAL

3,2 mm thick tempered glass with high strength and ARC

Textured, extra-clear with low iron content

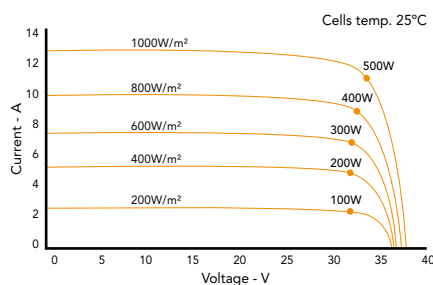
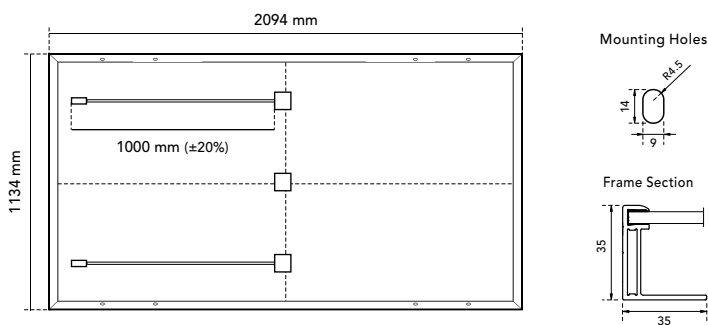
Frontal load (snow) 5.400 Pa | Back load (wind) 2.400 Pa

SOLAR CELLS

132 [2x(11x6)] cells monocrystalline silicon

WEIGHT, DIMENSIONS AND PACKAGING

26,3 Kg | 2094 x 1134 x 35 mm ($\pm 1\%$) | Pack: 704 pcs-truck



ELECTRIC DATA »

STANDARD	MEPV 500
STC 1000 W/m ² . Module Temperature 25°C A.M.1,5	
Nominal power. P _{mpp}	500 W _p
Tolerance. P _{mpp}	± 1 W
Area of the module	2,37 m ²
Module efficiency	21,1 %
I _{sc}	13,93 A
V _{oc}	45,59 V
I _{mpp}	13,04 A
V _{mpp}	38,35 V
NOCT 800 W/m ² Environment. Temperature 20°C A.M. 1,5	
Nominal power. P _{mpp}	378 W
I _{sc}	11,27 A
V _{oc}	42,72 V
I _{mpp}	10,52 A
V _{mpp}	35,93 V
Operating Parameters. Temperature Coefficients	
Maximum voltage	1000 - 1500 V
Maximum series fuse rating. I _r	25 A
α I _{sc}	0,0445 % / °C
β V _{oc}	- 0,275 % / °C
γ P _{max}	- 0,350 % / °C
Temperature range	- 40°C ~ + 85 °C
NOCT	45 \pm 2 °C

NOTE: Read the instruction manual of this product and follow the indications STC. Values are valid for: 1000W/m², A.M. 1,5 and cells temperature of 25°C. Measurement tolerance +/-3% (AAA Solar simulation -IEC 60.904-9-). All the information of this brochure may be amended without notice by Eurener. Eurener_MEPV 132_HALF-CUT PLUS_9BB_500Wp_EN_SEP2021

Contact us » www.eurenergroupp.com

contact@eurenerworld.com

+34 960 045 515

Calle Colón, 1-23
46004, Valencia. Spain

More than energy!

"More than energy" means being able to generate electricity in a clean and respectful way and to integrate photovoltaics with the least visual impact...