

Polycrystalline Photovoltaic Module »



# PEPV 72 STANDARD

STANDARD - BLACK - ZEBRA »  
340 / 345 Wp

## QUALITY »



**72 cells**  
Polycrystalline



**Long durability**  
Continuous performance



**+5W**  
Positive power tolerance



**Fire resistance**  
Maximum protection



**Proven technology**  
More reliable



**Optimal performance**  
Power and efficiency



**25** YEARS  
KNOW HOW  
SINCE  
1997

## WARRANTIES »

**15** YEARS PRODUCT WARRANTY

**25** YEARS PERFORMANCE WARRANTY  
Linear Warranty

**PRODUCT WARRANTY**  
for Premium Partners

**+5**  
YEARS

## CERTIFICATES »



## TECHNICAL FEATURES »

### Eurener\_PEPV 72\_STANDARD\_5BB\_340-345Wp\_2021EN

#### FRAME

Black / Silver anodized aluminium

Robust and resistant to corrosion

#### CONNECTION BOX

Sealed, robust and wide for heat dissipation

IP67/IP68 according to IEC 60529

Diodes by-pass built-in (3/6)

Connector MC4 or compatible

Cables 1000 mm ( $\pm 20\%$ ) length and 4 mm<sup>2</sup> section

#### FRONTAL

3,2 mm thick tempered glass with high strength and ARC

Textured, extra-clear with low iron content

Frontal load (snow) 5.400 Pa | Back load (wind) 2.400 Pa

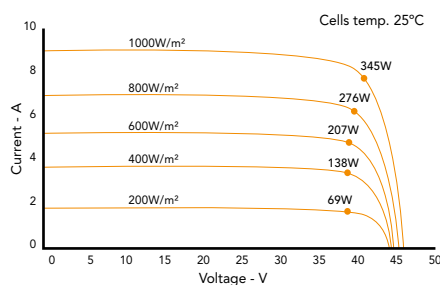
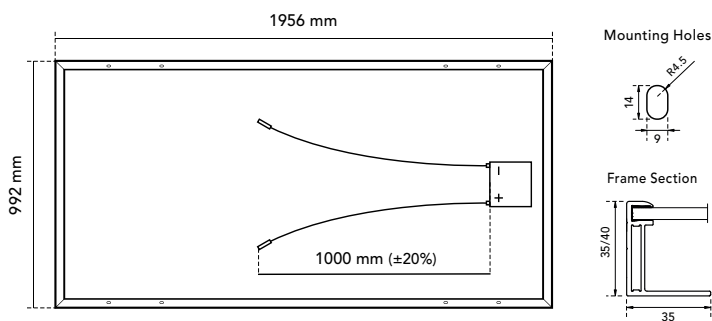
#### SOLAR CELLS

72 cells polycrystalline silicon

#### WEIGHT, DIMENSIONS AND PACKAGING

22,50 Kg | 1956 x 992 x 35/40 mm ( $\pm 1\%$ )

Pack: 724/624 pcs-truck



## ELECTRIC DATA »

STANDARD - BLACK - ZEBRA	PEPV 340	PEPV 345
STC 1000 W/m <sup>2</sup> . Module Temperature 25°C AM1,5		
Nominal power. P <sub>mpp</sub>	340 Wp	345 Wp
Tolerance. P <sub>mpp</sub>	0 / +5 W	0 / +5 W
Area of the module	1,94 m <sup>2</sup>	
Module efficiency	17,52 %	17,78 %
I <sub>sc</sub>	9,42 A	9,52 A
V <sub>oc</sub>	46,2 V	46,7 V
I <sub>mpp</sub>	9,00 A	9,11 A
V <sub>mpp</sub>	37,8 V	37,9 V
NOCT 800 W/m <sup>2</sup> Environment. Temperature 20°C AM 1,5		
Nominal power. P <sub>mpp</sub>	252 W	255 W
I <sub>sc</sub>	7,60 A	7,68 A
V <sub>oc</sub>	42,8 V	43,0 V
I <sub>mpp</sub>	7,21 A	7,27 A
V <sub>mpp</sub>	35,0 V	35,1 V
Operating Parameters. Temperature Coefficients		
Maximum voltage	1000 - 1500 V	
Maximum series fuse rating. I <sub>r</sub>	15 A	
$\alpha$ I <sub>sc</sub>	0,060 % / °C	
$\beta$ V <sub>oc</sub>	- 0,30 % / °C	
$\gamma$ P <sub>max</sub>	- 0,40 % / °C	
Temperature range	- 40°C ~ + 85 °C	
NOCT	45 $\pm$ 2 °C	

NOTE: Read the instruction manual of this product and follow the indications STC. Values are valid for: 1000W/m<sup>2</sup>, AM 1,5 and cells temperature of 25°C. Measurement tolerance +/-3% (AAA Solar simulation -IEC 60.904-9-). All the information of this brochure may be amended without notice by Eurener. Eurener\_PEPV 72\_STANDARD\_5BB\_340-345Wp\_EN\_SEP2021

Contact us » [www.eurenergroupp.com](http://www.eurenergroupp.com)

[contact@eurenerworld.com](mailto:contact@eurenerworld.com)

+34 960 045 515

Calle Colón, 1-23  
46004, Valencia. Spain

More than energy!

"More than energy" means being able to generate electricity in a clean and respectful way and to integrate photovoltaics with the least visual impact...