

Monocrystalline Photovoltaic Module »



MEPV 60 DOUBLE GLASS

FRAMELESS » 330 Wp

QUALITY »



60 cells
Monocrystalline



BIPV
Architectural integration



Load endurance
Front load / Back load



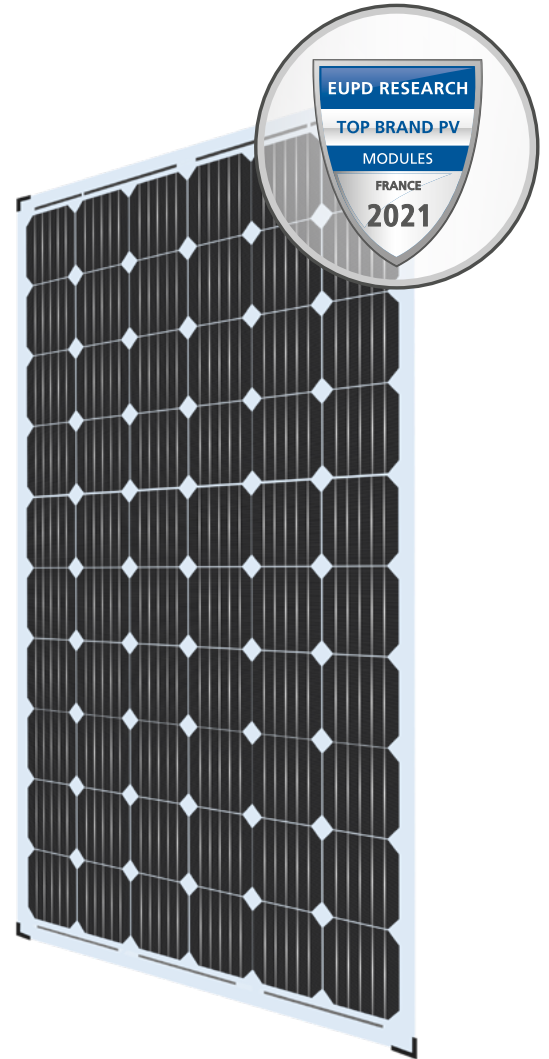
Translucent
Light can pass through it



Fire resistance
Maximum protection



Long durability
Continuous performance



*** EUROPEAN QUALITY ***

25 YEARS
KNOW
HOW
SINCE
* 1997

WARRANTIES »

30 YEARS PRODUCT WARRANTY

30 YEARS PERFORMANCE WARRANTY
Linear Warranty

CERTIFICATES »



TECHNICAL FEATURES »

Eurener_MEPV 60_DOUBLE GLASS_5BB_Frameless_330Wp_2021EN

FRAME

Black / Silver anodized aluminium

Robust and resistant to corrosion

GLASS

Back Glass | 2 mm tempered glass / 2 mm ceramic coated glass

Front Glass | 2mm tempered ARC glass

CONNECTION BOX

Sealed, robust and wide for heat dissipation

IP67/IP68 according to IEC 60529

Diodes by-pass built-in (3/6)

Connector MC4 or compatible

Cables 1000 mm ($\pm 20\%$) length and 4 mm² section

FRONTAL

2 mm + 2 mm tempered glass

Textured, extra-clear with low iron content

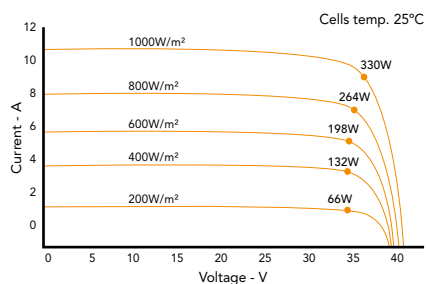
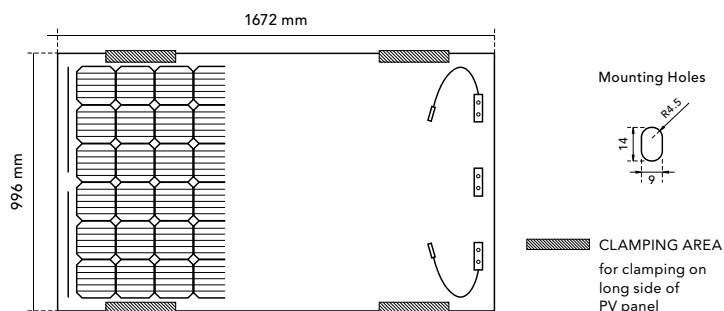
Frontal load (snow) 5.400 Pa | Back load (wind) 2.400 Pa

SOLAR CELLS

60 cells monocrystalline silicon

WEIGHT, DIMENSIONS AND PACKAGING

24 Kg | 1672 x 996 x 6 mm ($\pm 1\%$) | Pack: 940 pcs-truck



ELECTRIC DATA »

FRAMELESS	MEPV 330
STC: 1000 W/m ² , module temperature 25°C, AM 1,5	
Nominal power. P _{mpp}	330 W _p
Tolerance. P _{mpp}	± 1 W
Area of the module	1,67 m ²
Module efficiency	19,8 %
I _{sc}	10,31 A
V _{oc}	41,3 V
I _{mpp}	9,77 A
V _{mpp}	33,8 V
NOCT: 800 W/m ² , ambient temperature 20°C, AM 1,5	
Nominal power. P _{mpp}	246 W
I _{sc}	8,30 A
V _{oc}	38,20 V
I _{mpp}	7,87 A
V _{mpp}	31,27 V
Operating parameters. Temperature coefficients	
Maximum voltage	1000 - 1500 V
Maximum series fuse rating. I _r	15 A
α I _{sc}	0,048 % / °C
β V _{oc}	- 0,28 % / °C
γ P _{max}	- 0,37 % / °C
Temperature range	- 40°C ~ + 85 °C
NOCT	45 \pm 2 °C

NOTE: Read the instruction manual of this product and follow the indications STC. Values are valid for: 1000W/m², AM 1,5 and cells temperature of 25°C. Measurement tolerance $\pm 3\%$ (AAA Solar simulation -IEC 60.904-9-). All the information of this brochure may be amended without notice by Eurener. Eurener_MEPV 60_DOUBLE GLASS_5BB_ Frameless_330Wp_EN_SEP2021

Contact us » www.eurenergroupp.com

contact@eurenerworld.com

+34 960 045 515

Calle Colón, 1-23
46004, Valencia. Spain

More than energy!

"More than energy" means being able to generate electricity in a clean and respectful way and to integrate photovoltaics with the least visual impact...