

Monocrystalline Photovoltaic Module »



MEPV 120 HALF-CUT

STANDARD »
400 / 410 / **420 Wp**

QUALITY »



120 cells
Half-Cut monocrystalline



MBB technology
Better light absorption



Fire resistance
Maximum protection



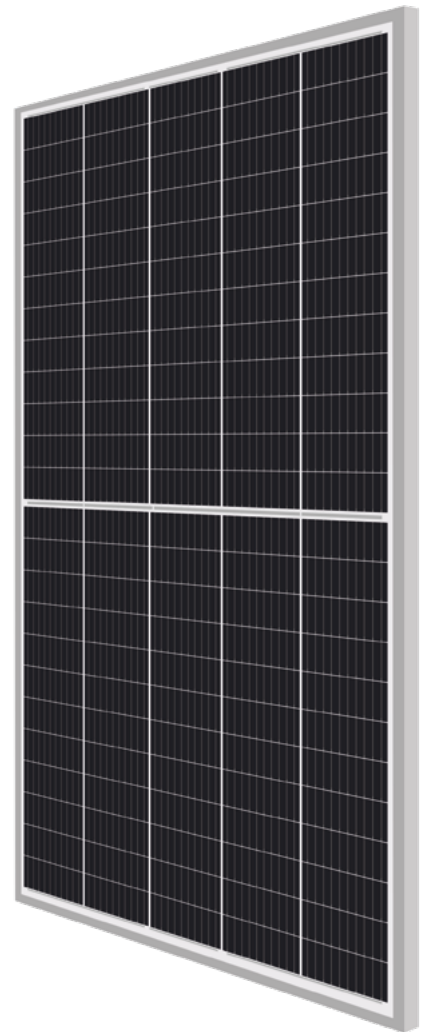
+5W
Positive power tolerance



Avoid losses
Better shading tolerance



Efficiency
Over 21% efficiency



1997 to 2022
25TH
ANNIVERSARY

*** EUROPEAN QUALITY

WARRANTIES »

15 YEARS PRODUCT WARRANTY

25 YEARS PERFORMANCE WARRANTY
Linear Warranty

PRODUCT WARRANTY
for Premium Partners

+5
YEARS

CERTIFICATES »



TECHNICAL FEATURES »

Eurener_MEPV 120_HALF-CUT_400-420Wp_2022EN

FRAME

Silver anodized aluminium

Robust and resistant to corrosion

CONNECTION BOX AND PROTECTIONS

Sealed, robust and wide for heat dissipation

IP67/IP68 according to IEC 60529

Diodes by-pass built-in (3/6)

Connector MC4 compatible

Application Class A. Safety Class II

Cables 1000 mm ($\pm 20\%$) length and 4 mm² section

FRONTAL

3,2 mm thick tempered glass with high strength and ARC

Textured, extra-clear with low iron content

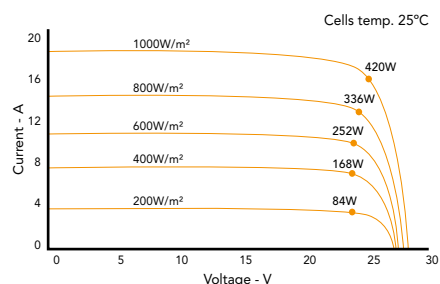
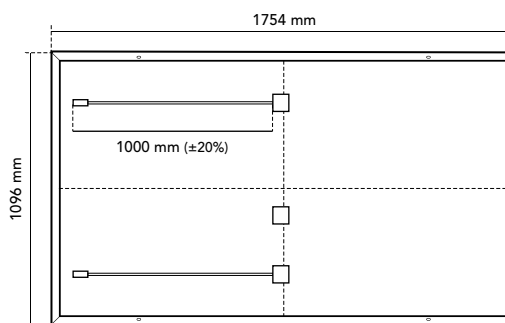
Frontal load (snow) 5400 Pa | Back load (wind) 2400 Pa

SOLAR CELLS

120 [2x(12x5)] cells monocrystalline silicon

WEIGHT, DIMENSIONS AND PACKAGING

21 Kg | 1754 x 1096 x 30 mm ($\pm 1\%$) | Pack: 936 pcs-truck



ELECTRIC DATA »

STANDARD	MEPV 400	MEPV 410	MEPV 420
STC: 1000 W/m ² , module temperature 25°C, AM 1,5			
Nominal power. P _{max}	400 Wp	410 Wp	420 Wp
Max. power tolerance. P _{max}	0 / +5 W	0 / +5 W	0 / +5 W
Area of the module	1,92 m ²		
Module efficiency	20,81 %	21,33 %	21,87 %
I _{sc}	18,36 A	18,53 A	18,72 A
V _{oc}	27,77 V	28,15 V	28,55 V
I _{mp}	17,30 A	17,48 A	17,60 A
V _{mp}	23,13 V	23,46 V	23,87 V
NOCT: 800 W/m ² , ambient temperature 20°C, AM 1,5			
Nominal power. P _{max}	307,28 W	311,11 W	315,11 W
I _{sc}	15,61 A	15,65 A	15,71 A
V _{oc}	25,64 V	25,86 V	26,11 V
I _{mp}	14,57 A	14,62 A	14,67 A
V _{mp}	21,09 V	21,28 V	21,48 V
Operating parameters. Temperature coefficients			
Maximum voltage	1500 V		
Maximum series fuse rating. I _r	20 A		
α I _{sc}	0,04 % / °C		
β V _{oc}	- 0,25 % / °C		
γ P _{max}	- 0,34 % / °C		
Temperature range	- 40 °C ~ + 85 °C		
NOCT	43 \pm 2 °C		

NOTE: Read the instruction manual of this product and follow the indications STC. Values are valid for: 1000W/m², AM 1,5 and cells temperature of 25°C. Measurement tolerance $\pm 3\%$ (AAA Solar simulation -IEC 60.904-9-). All the information of this brochure may be amended without notice by Eurener. Eurener_MEPV 120_HALF-CUT_400-420Wp_EN_JUN2022

1997 to 2022
25
TH
ANNIVERSARY

www.eurenergroupp.com
contact@eurenerworld.com
+34 960 045 515
Calle Colón, 1-23
46004, Valencia. Spain

25 years manufacturing a better world

Since 1997 our main purpose has been to supply quality and long-lasting photovoltaic modules that allow us and future generations, to continue generating clean energy to take care of our planet.