

Monocrystalline Photovoltaic Module »



# MEPV 108 HALF-CUT ICON

BLACK - STANDARD - BICOLOUR »  
400/405/410/415/420 Wp

## QUALITY »



**MBB technology**  
Better light absorption



**M10 Wafer**  
Ultra-high power



**Long durability**  
80% at the 30th year



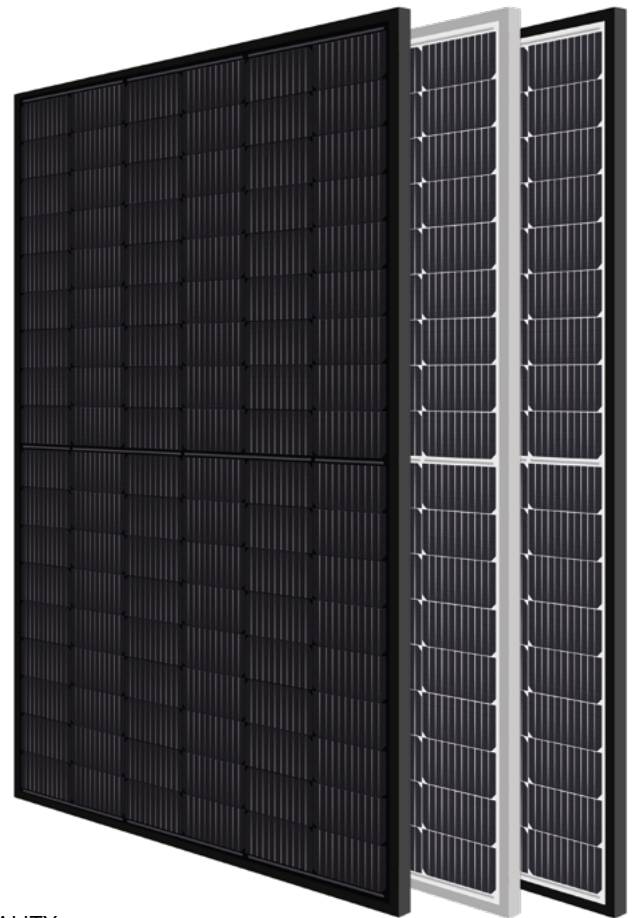
**Fire resistance**  
Maximum protection



**Avoid losses**  
Better shading tolerance



**Efficiency**  
415Wp - 420Wp



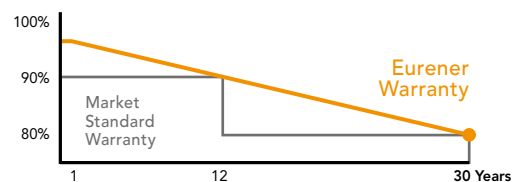
1997 to 2022  
**25<sup>TH</sup>**  
ANNIVERSARY

\*\*\* EUROPEAN QUALITY \*\*\*

## WARRANTIES »

**15** YEARS PRODUCT WARRANTY  
+5 years for Premium Partners

**30** YEARS PERFORMANCE WARRANTY  
Linear Warranty



## CERTIFICATES »



## TECHNICAL FEATURES »

### Eurener\_MEPV 108\_HALF-CUT ICON\_400-420Wp\_2022EN

#### FRAME

Black / Silver anodized aluminium

Robust and resistant to corrosion

#### CONNECTION BOX AND PROTECTIONS

Sealed, robust and wide for heat dissipation

IP67/IP68 according to IEC 60529

Diodes by-pass built-in (3/6)

Connector MC4 compatible

Application Class A. Safety Class II

Cables 1000 mm ( $\pm 20\%$ ) length and 4 mm<sup>2</sup> section

#### FRONTAL

3,2 mm thick tempered glass with high strength and ARC

Textured, extra-clear with low iron content

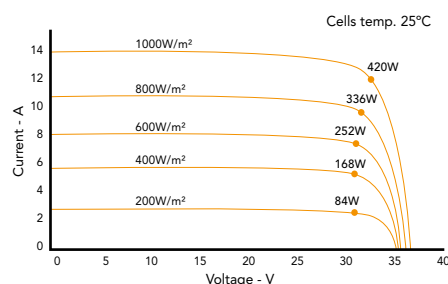
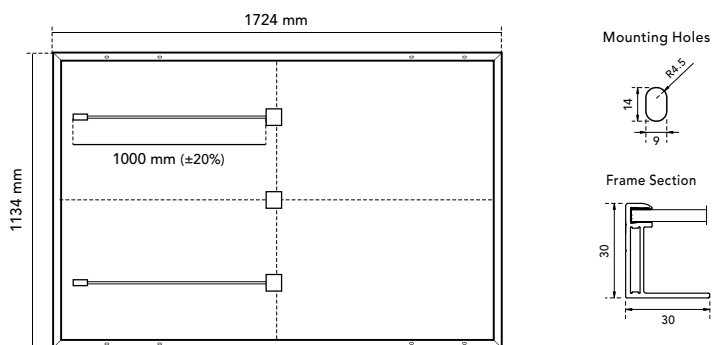
Frontal load (snow) 5400 Pa | Back load (wind) 2400 Pa

#### SOLAR CELLS

108 [2x (9x6)] cells monocrystalline silicon

#### WEIGHT AND DIMENSIONS

21,5 Kg | 1724 x 1134 x 30 mm ( $\pm 1\%$ ) | Pack: 962/936 pcs-truck



## ELECTRIC DATA »

BLACK - STANDARD - BICOLOUR	MEPV 400	MEPV 405	MEPV 410	MEPV 415	MEPV 420
STC: 1000 W/m <sup>2</sup> , module temperature 25°C, AM 1,5					
Nominal power. P <sub>max</sub>	400 W <sub>p</sub>	405 W <sub>p</sub>	410 W <sub>p</sub>	415 W <sub>p</sub>	420 W <sub>p</sub>
Max. power tolerance. P <sub>max</sub>	0 / +5 W	0 / +5 W	0 / +5 W	0 / +5 W	0 / +5 W
Area of the module	1,96 m <sup>2</sup>				
Module efficiency	20,46 %	20,72 %	20,97 %	21,23 %	21,48 %
I <sub>sc</sub>	13,79 A	13,87 A	13,95 A	14,02 A	14,10 A
V <sub>oc</sub>	37,07 V	37,23 V	37,32 V	37,45 V	37,57 V
I <sub>mp</sub>	12,90 A	12,98 A	13,04 A	13,13 A	13,21 A
V <sub>mp</sub>	31,01 V	31,21 V	31,45 V	31,61 V	31,81 V
NOCT: 800 W/m <sup>2</sup> , ambient temperature 20°C, AM 1,5					
Nominal power. P <sub>max</sub>	301,96 W	305,90 W	309,98 W	313,85 W	318,35 W
I <sub>sc</sub>	11,03 A	11,10 A	11,16 A	11,22 A	11,30 A
V <sub>oc</sub>	34,88 V	35,12 V	35,23 V	35,37 V	35,54 V
I <sub>mp</sub>	10,32 A	10,38 A	10,43 A	10,50 A	10,56 A
V <sub>mp</sub>	29,26 V	29,47 V	29,72 V	29,89 V	30,15 V
Operating parameters. Temperature coefficients					
Maximum voltage	1000 - 1500 V				
Maximum series fuse rating. I <sub>r</sub>	25 A				
α I <sub>sc</sub>	0,045 % / °C				
β V <sub>oc</sub>	- 0,275 % / °C				
γ P <sub>max</sub>	- 0,35 % / °C				
Temperature range	- 40°C ~ + 85 °C				
NOCT	45 ± 2 °C				

NOTE: Read the instruction manual of this product and follow the indications STC. Values are valid for: 1000W/m<sup>2</sup>, AM 1,5 and cells temperature of 25°C. Measurement tolerance +/-3% (AAA Solar simulation -IEC 60.904-9-). All the information of this brochure may be amended without notice by Eurener. Eurener\_MEPV 108\_HALF-CUT ICON\_400-420Wp\_EN\_SEP2022

1997 to 2022  
**25**  
TH  
ANNIVERSARY

[www.eurenergroupp.com](http://www.eurenergroupp.com)  
contact@eurenerworld.com  
+34 960 045 515  
Calle Colón, 1-23  
46004, Valencia, Spain

### 25 years manufacturing a better world

Since 1997 our main purpose has been to supply quality and long-lasting photovoltaic modules that allow us and future generations, to continue generating clean energy to take care of our planet.