

Monocrystalline Photovoltaic Module »



# MEPV 120 DOUBLE GLASS

STANDARD - BLACK »  
375 / 380 Wp

## QUALITY »



**MBB technology**  
Better light absorption



**BIPV**  
Architectural integration



**Load endurance**  
Front load / Back load



**Translucent**  
Light can pass through it



**+5W**  
Positive power tolerance



**Long durability**  
Continuous performance



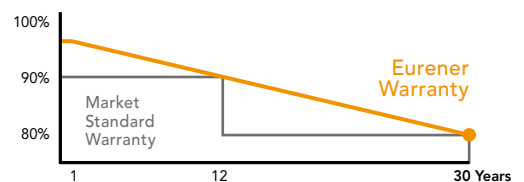
1997 to 2022  
**25<sup>TH</sup>**  
ANNIVERSARY

\*\*\* EUROPEAN QUALITY

## WARRANTIES »

**30** YEARS PRODUCT WARRANTY

**30** YEARS PERFORMANCE WARRANTY  
Linear Warranty



## CERTIFICATES »



## TECHNICAL FEATURES »

### Eurener\_MEPV 120\_DOUBLE GLASS\_375-380Wp\_2022EN

#### FRAME

Black / Silver anodized aluminium

Robust and resistant to corrosion

#### GLASS

Back Glass | 2 mm tempered glass / 2 mm ceramic coated glass

Front Glass | 2mm tempered ARC glass

#### CONNECTION BOX AND PROTECTIONS

Sealed, robust and wide for heat dissipation

IP67/IP68 according to IEC 60529

Diodes by-pass built-in (3/6)

Connector MC4 compatible

Application Class A. Safety Class II

Cables 1000 mm ( $\pm 20\%$ ) length and 4 mm<sup>2</sup> section

#### FRONTAL

2 mm + 2 mm tempered glass

Textured, extra-clear with low iron content

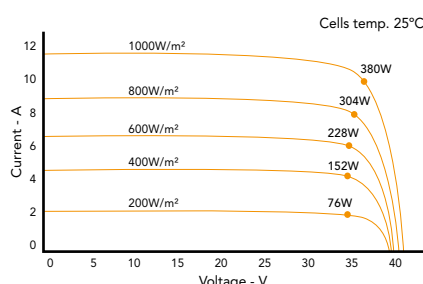
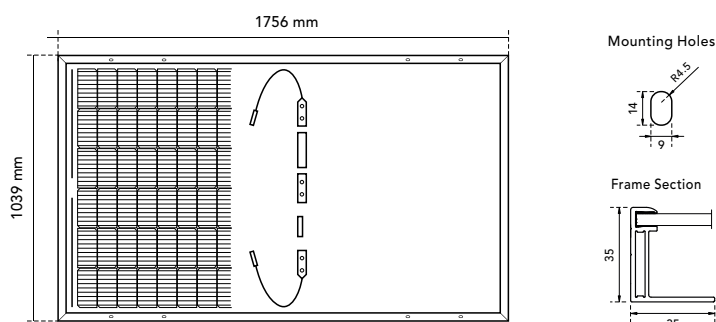
Frontal load (snow) 5400 Pa | Back load (wind) 2400 Pa

#### SOLAR CELLS

120 cells monocrystalline silicon

#### WEIGHT, DIMENSIONS AND PACKAGING

26 Kg | 1756 x 1039 x 35 mm ( $\pm 1\%$ ) | Pack: 871 pcs-truck



## ELECTRIC DATA »

STANDARD - BLACK	MEPV 375	MEPV 380
STC: 1000 W/m <sup>2</sup> , module temperature 25°C, AM 1,5		
Nominal power. Pmax	375 Wp	380 Wp
Max. power tolerance. Pmax	0 / +5 W	0 / +5 W
Area of the module	1,82 m <sup>2</sup>	
Module efficiency	20,55 %	20,83 %
Isc	11,78 A	11,90 A
Voc	41,00 V	41,10 V
Imp	11,10 A	11,20 A
Vmp	33,80 V	33,95 V
NOCT: 800 W/m <sup>2</sup> , ambient temperature 20°C, AM 1,5		
Nominal power. Pmax	279,55 W	283,23 W
Isc	9,48 A	9,56 A
Voc	37,92 V	38,02 V
Imp	8,94 A	9,02 A
Vmp	31,27 V	31,40 V
Operating parameters. Temperature coefficients		
Maximum voltage	1000 - 1500 V	
Maximum series fuse rating. Ir	15 A	
$\alpha$ Isc	0,06 % / °C	
$\beta$ Voc	- 0,30 % / °C	
$\gamma$ Pmax	- 0,4 % / °C	
Temperature range	- 45°C ~ + 85 °C	
NOCT	42 $\pm$ 2 °C	

NOTE: Read the instruction manual of this product and follow the indications STC. Values are valid for: 1000W/m<sup>2</sup>, AM 1,5 and cells temperature of 25°C. Measurement tolerance +/-3% (AAA Solar simulation -IEC 60.904-9-). All the information of this brochure may be amended without notice by Eurener. Eurener\_MEPV 120\_DOUBLE GLASS\_375-380Wp\_EN\_SEP2022

1997 TO 2022  
**25**  
TH  
ANNIVERSARY

[www.eurenergroupp.com](http://www.eurenergroupp.com)  
contact@eurenerworld.com  
+34 960 045 515  
Calle Colón, 1-23  
46004, Valencia. Spain

## 25 years manufacturing a better world

Since 1997 our main purpose has been to supply quality and long-lasting photovoltaic modules that allow us and future generations, to continue generating clean energy to take care of our planet.