

Monocrystalline Photovoltaic Module »



# MEPV 60 TURBO SUPERIOR

BLACK - STANDARD - BICOLOUR »  
**300 Wp**

## QUALITY »



**60 cells**  
Monocrystalline



**+5W**  
Positive power tolerance



**Long durability**  
Continuous performance



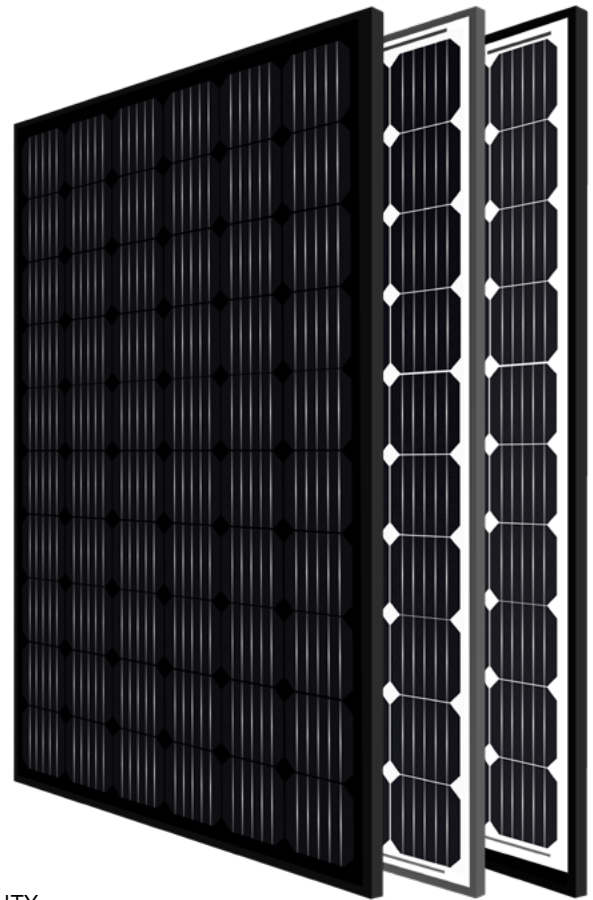
**Proven technology**  
More reliable



**Fire resistance**  
Maximum protection



**Optimal performance**  
Power and efficiency



1997 to 2022  
**25<sup>TH</sup>**  
ANNIVERSARY

\*\*\* EUROPEAN QUALITY \*\*\*

## WARRANTIES »

**20** YEARS PRODUCT WARRANTY

**25** YEARS PERFORMANCE WARRANTY  
Linear Warranty

PRODUCT WARRANTY  
for Premium Partners

**+5**  
YEARS

## CERTIFICATES »



## TECHNICAL FEATURES »

### Eurener\_MEPV 60\_TURBO SUPERIOR\_300Wp\_2022EN

#### FRAME

Black / Silver anodized aluminium

Robust and resistant to corrosion

#### CONNECTION BOX AND PROTECTIONS

Sealed, robust and wide for heat dissipation

IP67/IP68 according to IEC 60529

Diodes by-pass built-in (3/6)

Connector MC4 compatible

Application Class A. Safety Class II

Cables 1000 mm ( $\pm 20\%$ ) length and 4 mm<sup>2</sup> section

#### FRONTAL

3,2 mm thick tempered glass with high strength and ARC

Textured, extra-clear with low iron content

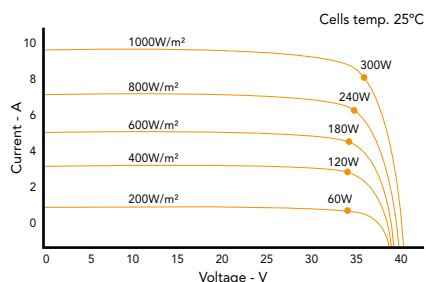
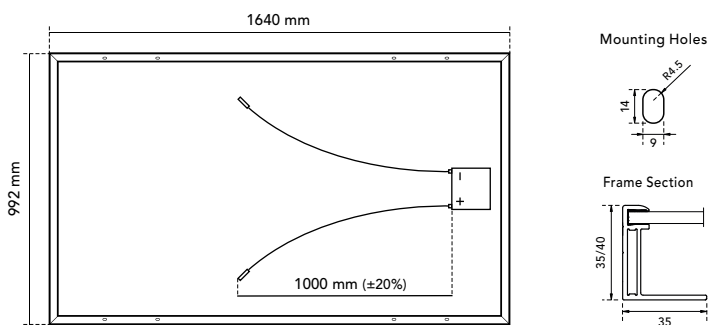
Frontal load (snow) 5400 Pa | Back load (wind) 2400 Pa

#### SOLAR CELLS

60 cells monocrystalline silicon

#### WEIGHT, DIMENSIONS AND PACKAGING

18,5 Kg | 1640 x 992 x 35 mm ( $\pm 1\%$ ) | Pack: 896/784 pcs-truck



## ELECTRIC DATA »

BLACK - STANDARD - BICOLOUR	MEPV 300
STC: 1000 W/m <sup>2</sup> , module temperature 25°C, AM 1,5	
Nominal power. Pmax	300 Wp
Max. power tolerance. Pmax	0 / +5 W
Area of the module	1,62 m <sup>2</sup>
Module efficiency	18,45 %
Isc	9,72 A
Voc	40,10 V
Imp	9,21 A
Vmp	32,60 V
NOCT: 800 W/m <sup>2</sup> , ambient temperature 20°C, AM 1,5	
Nominal power. Pmax	224 W
Isc	8,01 A
Voc	37,00 V
Imp	7,32 A
Vmp	30,60 V
Operating parameters. Temperature coefficients	
Maximum voltage	1000 - 1500 V
Maximum series fuse rating. Ir	15 A
$\alpha$ Isc	0,048 % / °C
$\beta$ Voc	- 0,29 % / °C
$\gamma$ Pmax	- 0,39 % / °C
Temperature range	- 40°C ~ + 85°C
NOCT	45 $\pm$ 2 °C

NOTE: Read the instruction manual of this product and follow the indications STC. Values are valid for: 1000W/m<sup>2</sup>, AM 1,5 and cells temperature of 25°C. Measurement tolerance  $\pm 3\%$  (AAA Solar simulation -IEC 60.904-9-). All the information of this brochure may be amended without notice by Eurener. Eurener\_MEPV 60\_TURBO SUPERIOR\_300Wp\_EN\_SEP2022

1997 to 2022  
**25**  
TH  
ANNIVERSARY

[www.eurenergroupp.com](http://www.eurenergroupp.com)  
contact@eurenerworld.com  
+34 960 045 515  
Calle Colón, 1-23  
46004, Valencia. Spain

### 25 years manufacturing a better world

Since 1997 our main purpose has been to supply quality and long-lasting photovoltaic modules that allow us and future generations, to continue generating clean energy to take care of our planet.