

Polycrystalline Photovoltaic Module »



PEPV 60 SUPERIOR

STANDARD - BICOLOUR »
280 / 285 Wp

QUALITY »



60 cells
Polycrystalline



Long durability
Continuous performance



+5W
Positive power tolerance



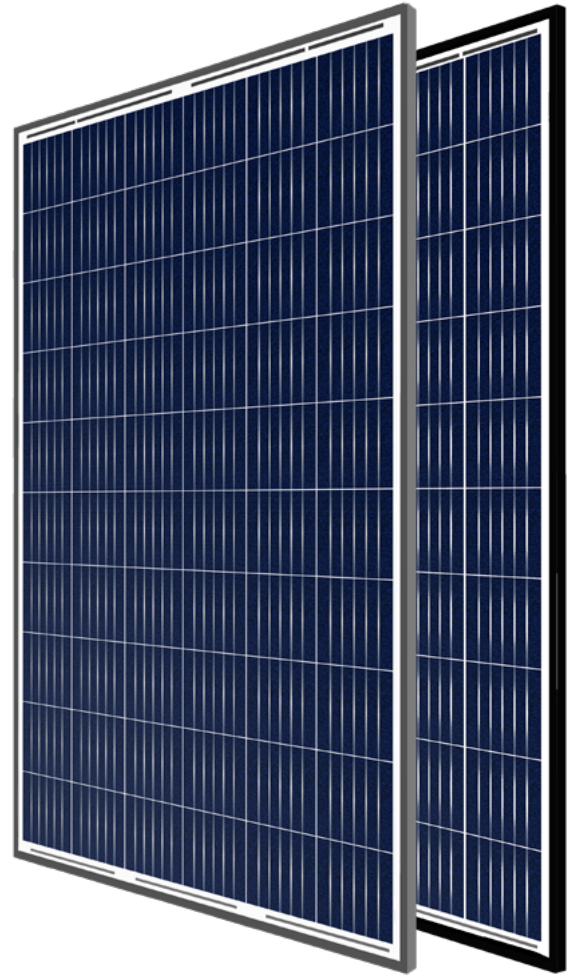
Fire resistance
Maximum protection



Proven technology
More reliable



Optimal performance
Power and efficiency



WARRANTIES »

20 YEARS PRODUCT WARRANTY

25 YEARS PERFORMANCE WARRANTY
Linear Warranty

PRODUCT WARRANTY
for Premium Partners

+5
YEARS

CERTIFICATES »



TECHNICAL FEATURES »

Eurener_PEPV 60_SUPERIOR_280-285Wp_2022EN

FRAME

Black / Silver anodized aluminium

Robust and resistant to corrosion

CONNECTION BOX AND PROTECTIONS

Sealed, robust and wide for heat dissipation

IP67/IP68 according to IEC 60529

Diodes by-pass built-in (3/6)

Connector MC4 compatible

Application Class A. Safety Class II

Cables 1000 mm ($\pm 20\%$) length and 4 mm² section

FRONTAL

3,2 mm thick tempered glass with high strength and ARC

Textured, extra-clear with low iron content

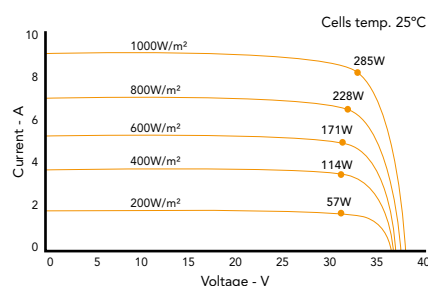
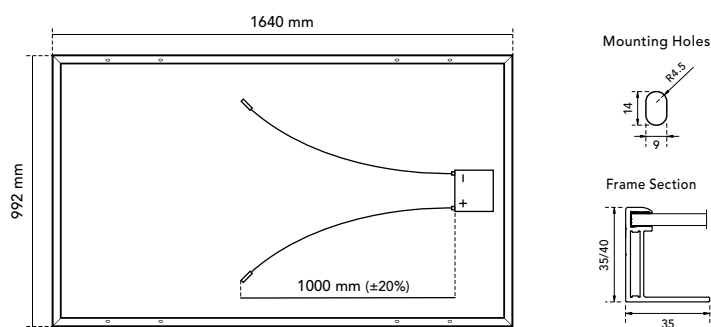
Frontal load (snow) 5400 Pa | Back load (wind) 2400 Pa

SOLAR CELLS

60 cells polycrystalline silicon

WEIGHT, DIMENSIONS AND PACKAGING

18,50 Kg | 1640 x 992 x 35 mm ($\pm 1\%$) | Pack: 924/784 pcs-truck



ELECTRIC DATA »

STANDARD - BICOLOUR	PEPV 280	PEPV 285
STC: 1000 W/m ² , module temperature 25°C, AM 1,5		
Nominal power. P _{max}	280 Wp	285 Wp
Max. power tolerance. P _{max}	0 / +5 W	0 / +5 W
Area of the module	1,62 m ²	
Module efficiency	17,21 %	17,52 %
I _{sc}	9,40 A	9,49 A
V _{oc}	38,20 V	38,30 V
I _{mp}	8,92 A	9,02 A
V _{mp}	31,40 V	31,60 V
NOCT: 800 W/m ² , ambient temperature 20°C, AM 1,5		
Nominal power. P _{max}	208,07 W	211,11 W
I _{sc}	7,59 A	7,66 A
V _{oc}	35,40 V	35,50 V
I _{mp}	7,17 A	7,23 A
V _{mp}	29,02 V	29,20 V
Operating parameters. Temperature coefficients		
Maximum voltage	1000 - 1500 V	
Maximum series fuse rating. I _r	15 A	
α I _{sc}	0,05 % / °C	
β V _{oc}	- 0,32 % / °C	
γ P _{max}	- 0,41 % / °C	
Temperature range	- 40°C ~ + 85 °C	
NOCT	42 ± 2 °C	

NOTE: Read the instruction manual of this product and follow the indications STC. Values are valid for: 1000W/m², AM 1,5 and cells temperature of 25°C. Measurement tolerance +/-3% (AAA Solar simulation -IEC 60.904-9-). All the information of this brochure may be amended without notice by Eurener. Eurener_PEPV 60_SUPERIOR_280-285Wp_EN_SEP2022

1997 to 2022
25
TH
ANNIVERSARY

www.eurenergroupp.com
contact@eurenerworld.com
+34 960 045 515
Calle Colón, 1-23
46004, Valencia. Spain

25 years manufacturing a better world

Since 1997 our main purpose has been to supply quality and long-lasting photovoltaic modules that allow us and future generations, to continue generating clean energy to take care of our planet.