

Polycrystalline Photovoltaic Module »



PEPV 72 STANDARD

STANDARD - BICOLOUR »
340 / 345 Wp

QUALITY »



72 cells
Polycrystalline



Long durability
Continuous performance



+5W
Positive power tolerance



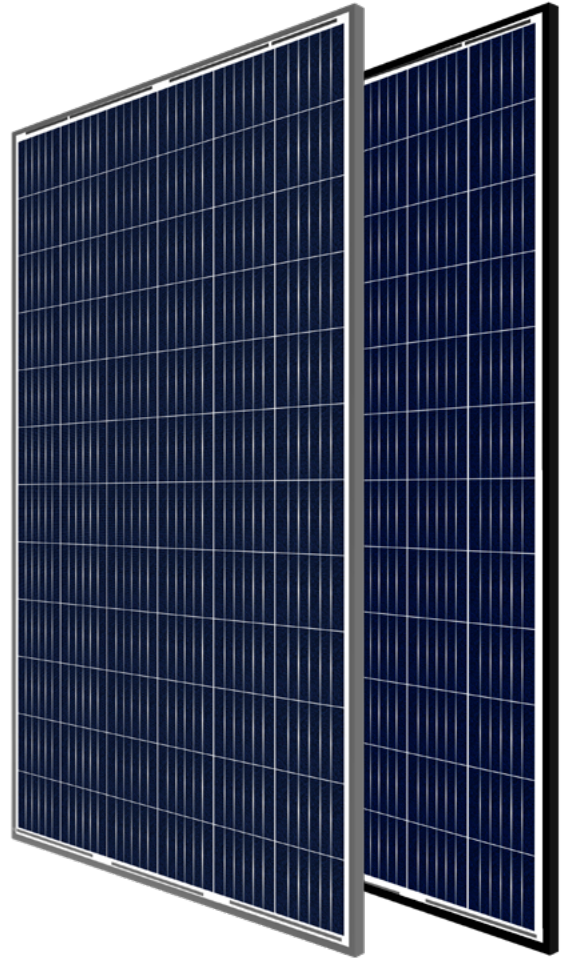
FIRE CLASS I
UNI 9177
Fire resistance
Maximum protection



Proven technology
More reliable



Optimal performance
Power and efficiency



WARRANTIES »

20 YEARS PRODUCT WARRANTY

25 YEARS PERFORMANCE WARRANTY
Linear Warranty

PRODUCT WARRANTY
for Premium Partners

+5
YEARS

CERTIFICATES »



TECHNICAL FEATURES »

Eurener_PEPV 72_STANDARD_340-345Wp_2022EN

FRAME

Black / Silver anodized aluminium

Robust and resistant to corrosion

CONNECTION BOX AND PROTECTIONS

Sealed, robust and wide for heat dissipation

IP67/IP68 according to IEC 60529

Diodes by-pass built-in (3/6)

Connector MC4 compatible

Application Class A. Safety Class II

Cables 1000 mm ($\pm 20\%$) length and 4 mm² section

FRONTAL

3,2 mm thick tempered glass with high strength and ARC

Textured, extra-clear with low iron content

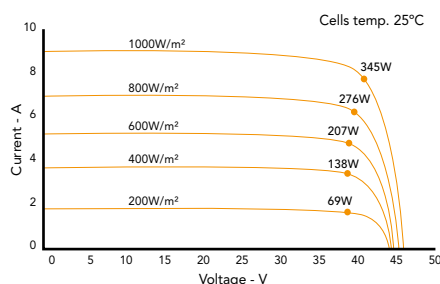
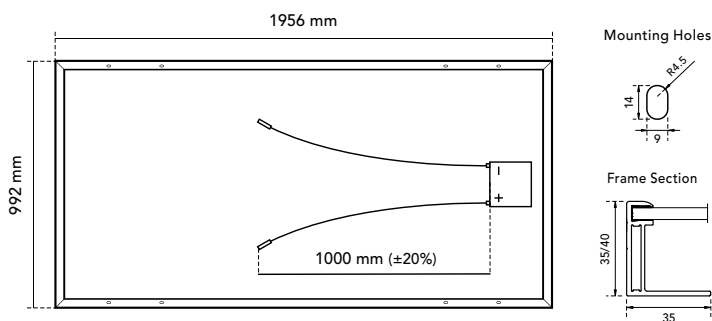
Frontal load (snow) 5400 Pa | Back load (wind) 2400 Pa

SOLAR CELLS

72 cells polycrystalline silicon

WEIGHT, DIMENSIONS AND PACKAGING

22,50 Kg | 1956 x 992 x 35 mm ($\pm 1\%$) | Pack: 726/624 pcs-truck



ELECTRIC DATA »

| STANDARD - BICOLOUR | PEPV 340 | PEPV 345 |
|---|---------------------|----------|
| STC: 1000 W/m ² , module temperature 25°C, AM 1,5 | | |
| Nominal power. Pmax | 340 Wp | 345 Wp |
| Max. power tolerance. Pmax | 0 / +5 W | 0 / +5 W |
| Area of the module | 1,94 m ² | |
| Module efficiency | 17,53 % | 17,79 % |
| Isc | 9,42 A | 9,52 A |
| Voc | 46,20 V | 46,70 V |
| Imp | 9,00 A | 9,11 A |
| Vmp | 37,80 V | 37,90 V |
| NOCT: 800 W/m ² , ambient temperature 20°C, AM 1,5 | | |
| Nominal power. Pmax | 252,35 W | 255,17 W |
| Isc | 7,60 A | 7,68 A |
| Voc | 42,80 V | 43,00 V |
| Imp | 7,21 A | 7,27 A |
| Vmp | 35,00 V | 35,10 V |
| Operating parameters. Temperature coefficients | | |
| Maximum voltage | 1000 - 1500 V | |
| Maximum series fuse rating. Ir | 15 A | |
| α Isc | 0,060 % / °C | |
| β Voc | - 0,30 % / °C | |
| γ Pmax | - 0,40 % / °C | |
| Temperature range | - 40°C ~ + 85 °C | |
| NOCT | 45 \pm 2 °C | |

NOTE: Read the instruction manual of this product and follow the indications STC. Values are valid for: 1000W/m², AM 1,5 and cells temperature of 25°C. Measurement tolerance +/-3% (AAA Solar simulation -IEC 60.904-9-). All the information of this brochure may be amended without notice by Eurener. Eurener_PEPV 72_STANDARD_340-345Wp_EN_SEP2022

1997 to 2022
25
TH
ANNIVERSARY

www.eurenergroupp.com
contact@eurenerworld.com
+34 960 045 515
Calle Colón, 1-23
46004, Valencia. Spain

25 years manufacturing a better world

Since 1997 our main purpose has been to supply quality and long-lasting photovoltaic modules that allow us and future generations, to continue generating clean energy to take care of our planet.