

Monocrystalline Photovoltaic Module »



# MEPV 108 HALF-CUT ICON

BLACK - STANDARD - BICOLOUR »  
400/410/415/420 Wp

## QUALITY »



**M10 Wafer**  
Ultra-high power



**Efficiency**  
415Wp - 420Wp



**Long durability**  
80% at the 30th year



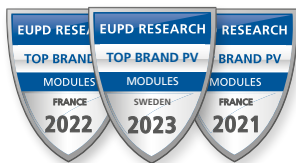
**Fire resistance**  
Maximum protection



**Avoid losses**  
Better shading tolerance



**Load endurance**  
Front load / Back load



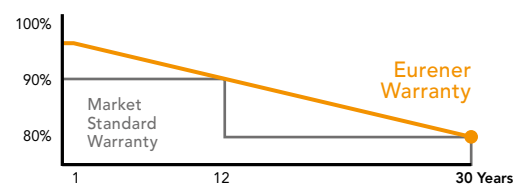
\*\*\* EUROPEAN QUALITY



## WARRANTIES »

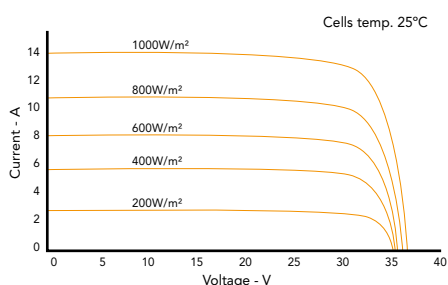
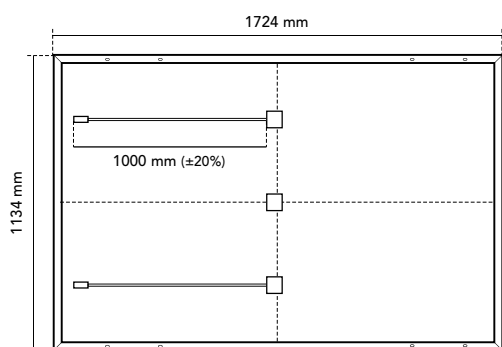
**20 YEARS PRODUCT WARRANTY**  
+5 years for Premium Partners

**30 YEARS PERFORMANCE WARRANTY**  
Linear Warranty



## CERTIFICATES »





**FRAME**

Black / Silver anodized aluminium

Robust and resistant to corrosion

**JUNCTION BOX**

Sealed, robust and wide for heat dissipation

IP67/IP68 according to IEC 60529

Diodes by-pass built-in 3

Connector MC4 compatible

Cables 1000 mm (±20%) length and 4 mm<sup>2</sup> section

**FRONTAL**

3,2 mm thick tempered glass with high strength and ARC

Textured, extra-clear with low iron content

Frontal load (snow) 5400 Pa | Back load (wind) 2400 Pa

**SOLAR CELLS**

108 [2x (9x6)] cells monocrystalline silicon

**WEIGHT AND DIMENSIONS**

21,5 Kg | 1724 x 1134 x 30 mm (±1%) | Pack: 962/936 pcs-truck

**ELECTRIC DATA »**

BLACK - STANDARD - BICOLOUR	MEPV 400	MEPV 410	MEPV 415	MEPV 420 STANDARD ONLY
<b>STC: 1000 W/m<sup>2</sup>, module temperature 25°C, AM 1,5</b>				
Nominal power. Pmax	400 Wp	410 Wp	415 Wp	420 Wp
Max. power tolerance. Pmax	0 / +5 W	0 / +5 W	0 / +5 W	0 / +5 W
Area of the module	1,96 m <sup>2</sup>			
Module efficiency	20,46 %	20,98 %	21,23 %	21,49 %
Isc	13,79 A	13,95 A	14,02 A	14,10 A
Voc	37,07 V	37,32 V	37,45 V	37,57 V
Imp	12,90 A	13,04 A	13,13 A	13,21 A
Vmp	31,01 V	31,45 V	31,61 V	31,81 V
<b>NOCT: 800 W/m<sup>2</sup>, ambient temperature 20°C, AM 1,5</b>				
Nominal power. Pmax	301,72 W	309,48 W	313,23 W	317,20 W
Isc	11,13 A	11,26 A	11,31 A	11,38 A
Voc	35,02 V	35,26 V	35,38 V	35,50 V
Imp	10,42 A	10,53 A	10,60 A	10,67 A
Vmp	28,96 V	29,39 V	29,54 V	29,74 V
<b>Operating parameters. Temperature coefficients</b>				
Maximum voltage	1000 - 1500 V			
Maximum series fuse rating. Ir	25 A			
α Isc	0,044 % / °C			
β Voc	- 0,276 % / °C			
γ Pmax	- 0,35 % / °C			
Temperature range	- 40°C ~ + 85 °C			
NOCT	45 ± 2 °C			

NOTE: Read the instruction manual of this product and follow the indications STC. Values are valid for: 1000W/m<sup>2</sup>, AM 1,5 and cells temperature of 25°C. Measurement tolerance +/-3% (AAA Solar simulation -IEC 60.904-9-). All the information of this brochure may be amended without notice by Eurener. Eurener\_MEPV 108\_HALF-CUT ICON\_400-420Wp\_EN\_MAY2023



[www.eurenergroupp.com](http://www.eurenergroupp.com)  
 contact@eurenerworld.com  
 +34 960 045 515  
 Calle Colón, 1-23  
 46004, Valencia. Spain

**Manufacturing a better world**

Since 1997 our main purpose has been to supply quality and long-lasting photovoltaic modules that allow us and future generations, to continue generating clean energy to take care of our planet.