

Monocrystalline Photovoltaic Module »



MEPV 60 TURBO SUPERIOR

BLACK - STANDARD - BICOLOUR »
300 / 310 / 315 / **320 Wp**

QUALITY »



60 cells
Monocrystalline



+5W
Positive power tolerance



Long durability
Continuous performance



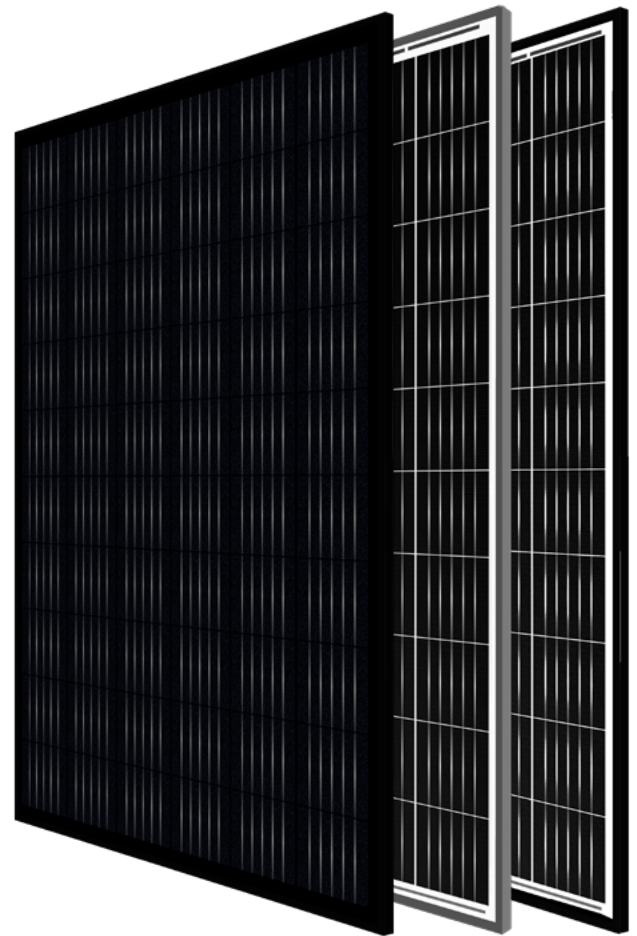
Proven technology
More reliable



FIRE CLASS I
UNI 9177
Fire resistance
Maximum protection



Optimal performance
Power and efficiency

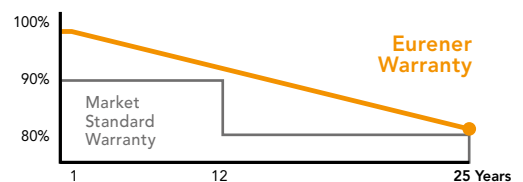


*** EUROPEAN QUALITY

WARRANTIES »

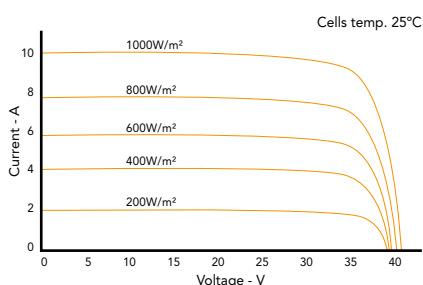
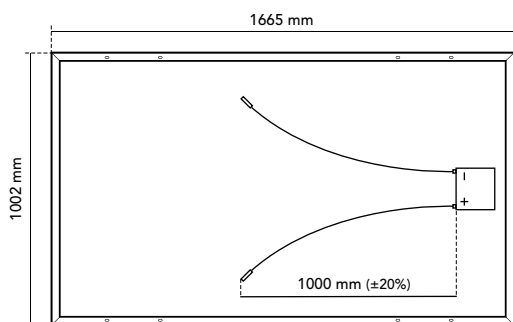
20 YEARS PRODUCT WARRANTY
+5 years for Premium Partners

25 YEARS PERFORMANCE WARRANTY
Linear Warranty



CERTIFICATES »





FRAME

Black / Silver anodized aluminium

Robust and resistant to corrosion

JUNCTION BOX

Sealed, robust and wide for heat dissipation

IP67/IP68 according to IEC 60529

Diodes by-pass built-in 3

Connector MC4 compatible

Cables 1000 mm (±20%) length and 4 mm² section

FRONTAL

3,2 mm thick tempered glass with high strength and ARC

Textured, extra-clear with low iron content

Frontal load (snow) 5400 Pa | Back load (wind) 2400 Pa

SOLAR CELLS

60 cells monocrystalline silicon

WEIGHT AND DIMENSIONS

19 Kg | 1665 x 1002 x 35/40 mm (±1%) | Pack: 896/784 pcs-truck

ELECTRIC DATA »

BLACK - STANDARD - BICOLOUR	MEPV 300	MEPV 310	MEPV 315	MEPV 320
STC: 1000 W/m², module temperature 25°C, AM 1,5				
Nominal power. P _{max}	300 W _p	310 W _p	315 W _p	320 W _p
Max. power tolerance. P _{max}	0 / +5 W	0 / +5 W	0 / +5 W	0 / +5 W
Area of the module	1,67 m ²			
Module efficiency	17,99 %	18,59 %	18,89 %	19,20 %
I _{sc}	9,82 A	9,93 A	10,04 A	10,15 A
V _{oc}	40,30 V	40,50 V	40,70 V	40,90 V
I _{mp}	9,15 A	9,40 A	9,49 A	9,59 A
V _{mp}	32,80 V	33,00 V	33,20 V	33,40 V
NOCT: 800 W/m², ambient temperature 20°C, AM 1,5				
Nominal power. P _{max}	223,60 W	231,11 W	235,87 W	239,26 W
I _{sc}	7,90 A	7,99 A	8,33 A	8,44 A
V _{oc}	37,28 V	37,46 V	37,60 V	37,80 V
I _{mp}	7,37 A	7,57 A	7,56 A	7,62 A
V _{mp}	30,34 V	30,53 V	31,20 V	31,40 V
Operating parameters. Temperature coefficients				
Maximum voltage	1000 - 1500 V			
Maximum series fuse rating. I _r	20 A			
α I _{sc}	0,048 % / °C			
β V _{oc}	- 0,28 % / °C			
γ P _{max}	- 0,37 % / °C			
Temperature range	- 40°C ~ + 85 °C			
NOCT	45 ± 2 °C			

NOTE: Read the instruction manual of this product and follow the indications STC. Values are valid for: 1000W/m², AM 1,5 and cells temperature of 25°C. Measurement tolerance +/-3% (AAA Solar simulation -IEC 60.904-9-). All the information of this brochure may be amended without notice by Eurener. Eurener_MEPV 60_TURBO SUPERIOR_300-320Wp_EN_MAY2023