

Monocrystalline Photovoltaic Module »



MEPV 80 HALF-CUT

BLACK » 410Wp

QUALITY »



80 cells
Half-Cut monocrystalline



Efficiency
Over 21% efficiency



Fire resistance
Maximum protection



+5W
Positive power tolerance



Avoid losses
Better shading tolerance



Load endurance
Front load / Back load

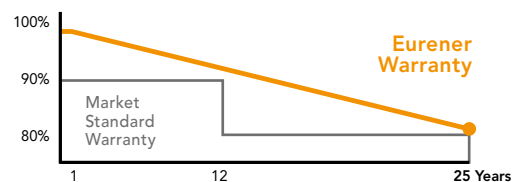


*** EUROPEAN QUALITY ***

WARRANTIES »

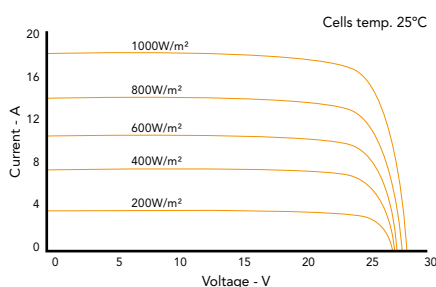
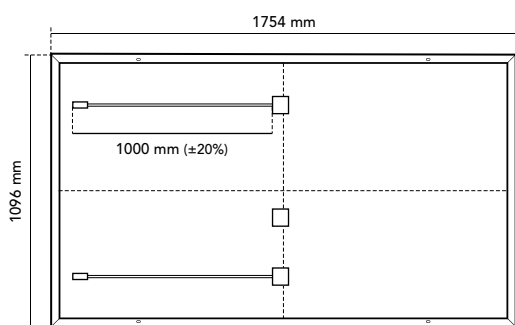
20 YEARS PRODUCT WARRANTY
+5 years for Premium Partners

25 YEARS PERFORMANCE WARRANTY
Linear Warranty



CERTIFICATES »





FRAME

Black anodized aluminium

Robust and resistant to corrosion

JUNCTION BOX

Sealed, robust and wide for heat dissipation

IP67/IP68 according to IEC 60529

Diodes by-pass built-in 3

Connector MC4 compatible

Cables 1000 mm (±20%) length and 4 mm² section

FRONTAL

3,2 mm thick tempered glass with high strength and ARC

Textured, extra-clear with low iron content

Frontal load (snow) 5400 Pa | Back load (wind) 2400 Pa

SOLAR CELLS

80 [2x(8x5)] cells monocrystalline silicon

WEIGHT AND DIMENSIONS

21 Kg | 1754 x 1096 x 30 mm (±1%) | Pack: 936 pcs-truck

ELECTRIC DATA »

BLACK	MEPV 410
STC: 1000 W/m², module temperature 25°C, AM 1,5	
Nominal power. Pmax	410 Wp
Max. power tolerance. Pmax	0 / +5 W
Area of the module	1,92 m ²
Module efficiency	21,33 %
Isc	18,53 A
Voc	28,15 V
Imp	17,48 A
Vmp	23,46 V
NOCT: 800 W/m², ambient temperature 20°C, AM 1,5	
Nominal power. Pmax	311,11 W
Isc	15,65 A
Voc	25,86 V
Imp	14,62 A
Vmp	21,28 V
Operating parameters. Temperature coefficients	
Maximum voltage	1500 V
Maximum series fuse rating. Ir	20 A
α Isc	0,04 % / °C
β Voc	- 0,25 % / °C
γ Pmax	- 0,34 % / °C
Temperature range	- 40 °C ~ + 85 °C
NOCT	43 ± 2 °C

NOTE: Read the instruction manual of this product and follow the indications STC. Values are valid for: 1000W/m², AM 1,5 and cells temperature of 25°C. Measurement tolerance +/-3% (AAA Solar simulation -IEC 60.904-9-). All the information of this brochure may be amended without notice by Eurener. Eurener_MEPV 80_HALF-CUT_410Wp_EN_AUG2023



www.eurenergroupp.com
contact@eurenerworld.com
+34 960 045 515
Calle Colón, 1-23
46004, Valencia. Spain

Manufacturing a better world

Since 1997 our main purpose has been to supply quality and long-lasting photovoltaic modules that allow us and future generations, to continue generating clean energy to take care of our planet.