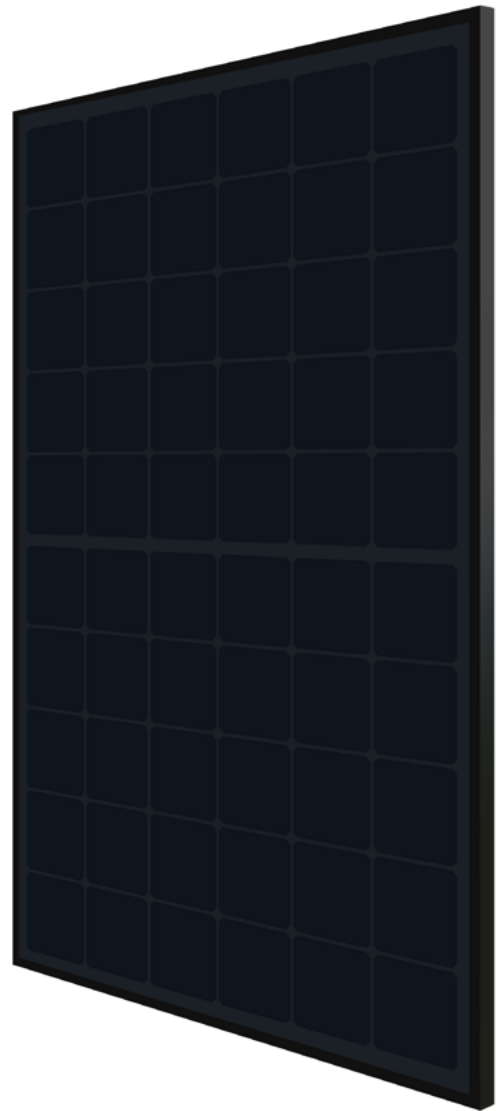


# Ultra

MEPV 120 cells — Eurener PV Module

> 400Wp



### N-type cell

Higher resistance to LID and LeTID



### Back contact technology

Improved energy yield by reducing BB shadowing



### Better temperature coefficient

Minimized thermal losses, improved efficiency



### Easy to handle

Comfortable installation thanks to an optimized area size



### Premium aesthetic

Commercial and residential rooftop integration



### Elegant design

Cells free from frontal metallization



**20** Years

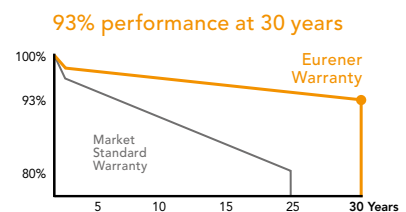
Product Warranty

+5 years for Premium Partners

**30** Years

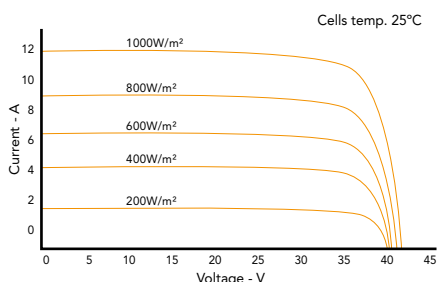
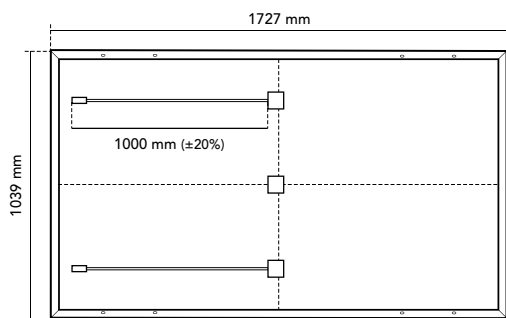
Performance Warranty

Linear Warranty





# Eurener MEPV 120 — ULTRA 400Wp



Mechanical Specification	
Solar cells	120 (6 x 20), N-Type monocrystalline silicon cells
Front Glass	3,2 mm thick tempered glass with high strength and ARC
Frame	Black anodized aluminium
Junction Box	IP68, 3 by-pass diodes
Connector	Original MC4-Evo 2
Cable	1000 mm (±20%) length and 4 mm <sup>2</sup> section
Dimension	1727 x 1039 x 30 mm (±1%)
Area	1,79 m <sup>2</sup>
Weight and packaging	20 kg, 949 pcs-truck
Temperature Coefficients	
Temperature coefficient of Isc (α)	0,045 %/°C
Temperature coefficient of Voc (β)	-0,247 %/°C
Temperature coefficient of Pmax (γ)	-0,290 %/°C
Temperature range	-40 °C ~ +85 °C
Nominal operating cell temperature (NOCT)	43 ± 2 °C

Black	MEPV 400
<b>STC: 1000 W/m<sup>2</sup>, module temperature 25°C, AM 1,5</b>	
Nominal power. Pmax	400 Wp
Module efficiency	22,31 %
Short-circuit current (Isc)	12,05 A
Open-circuit voltage (Voc)	42,10 V
Maximum power current (Imp)	11,09 A
Maximum power voltage (Vmp)	36,10 V
<b>NOCT: 800 W/m<sup>2</sup>, ambient temperature 20°C, AM 1,5</b>	
Nominal power. Pmax	306,52 W
Short-circuit current (Isc)	9,72 A
Open-circuit voltage (Voc)	40,23 V
Maximum power current (Imp)	8,96 A
Maximum power voltage (Vmp)	34,23 V
<b>Operating parameters</b>	
Maximum voltage	1500 V
Maximum series fuse rating. Ir	20 A
Power output tolerance	0 - +3%
Voc and Isc tolerance	±3%
Fire rating	Class C (UL 790)
Protection class	Class II (IEC 61140)
Hail resistance	HW3/RG3
Mechanical loads	Front load 5400 Pa, Back load 2400 Pa

NOTE: Read the instruction manual of this product and follow the indications STC. Values are valid for: 1000W/m<sup>2</sup>, AM 1,5 and cells temperature of 25°C. Measurement tolerance +/-3% (AAA Solar simulation -IEC 60.904-9-). All the information of this brochure may be amended without notice by Eurener.  
Eurener\_MEPV 120\_ULTRA\_400Wp\_EN\_JAN2024



**eurener.com**  
[contact@eurenerworld.com](mailto:contact@eurenerworld.com)  
 +34 960 045 515  
 Calle Colón, 1-23  
 46004, Valencia. Spain

## Manufacturing a better world

Since 1997 our main purpose has been to supply quality and long-lasting photovoltaic modules that allow us and future generations, to continue generating clean energy to take care of our planet.